

JRGD

Rear suspension package Ensemble pour suspension arriere Ensemble para suspension de delantero

INSTALLATION INSTRUCTION

- Raise vehicle allowing the axle to hang freely.
- Remove existing bump stop by prying out of bumpstop cup.
- Mount Timbren assembly using existing holes & Timbren supplied fasteners.
- Lower vehicle.

NOTES

Use rubber spacer #3 and bolt #6 to achieve desired ride height.

Do not exceed vehicle manufacturer's recommended axle weight rating. Check for AEON® interference with vehicle components - Under load AEON® will "expand" in diameter.

INSTRUCTIONS DE MONTAGE

- Soulevez le véhicule en laissant l'essieu pendre librement.
- Enlevez la butée de butée existante en faisant levier sur la coupelle de butée.
- Montez l'ensemble Timbren en utilisant les trous existants et les fixations fournies par Timbren.
- Abaissez le véhicule.

REMARQUES

Utilisez l'entretoise en caoutchouc #3 et le boulon #6 pour atteindre la hauteur de conduite souhaitée.

Ne pas dépasser le poids nominal sur l'essieu recommandé par le fabricant du véhicule. Vérifier que le ressort AEON® n'a pas d'incidence sur d'autres pièces du véhicule - Le ressort AEON® augmentera son diamètre avec la charge.

INSTRUCCIONES DE INSTALACION

- Eleve el vehículo permitiendo que el eje cuelgue libremente.
- Quite el tope de choque existente haciendo palanca para sacar el tope de tope.
- Monte el conjunto de Timbren utilizando los orificios existentes y los sujetadores suministrados por Timbren.
- Vehículo inferior.

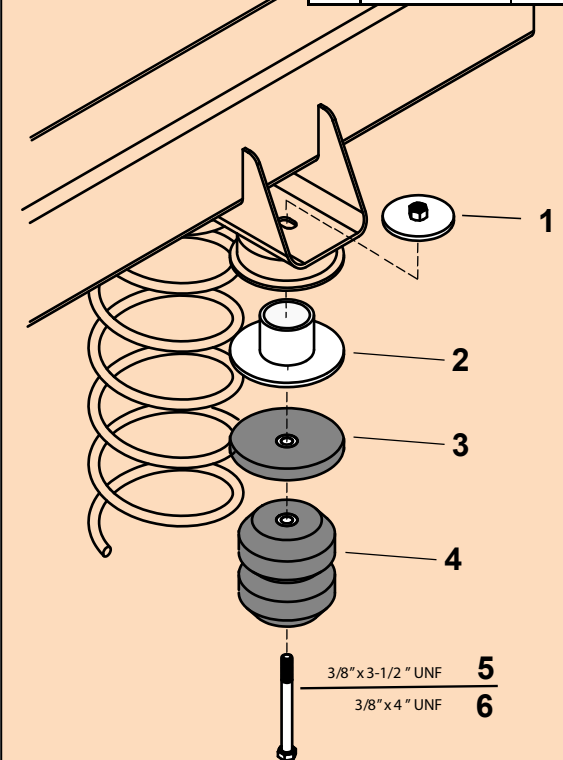
NOTAS

Use el espaciador de goma #3 y el perno #6 para lograr la altura de manejo deseada.

No exceda la carga nominal en el eje recomendada por el fabricante del vehículo. Compruebe que no haya interferencia entre el resorte AEON® y los otros componentes del vehículo. Bajo carga, el resorte AEON® se ampliará en diámetro.

Ref. = Reference = No. de référence = Núm. de referencia
Part = Part #. = No. de pièce = Núm. de pieza
Qty. = Quantity = Quantité = Cantidad

Ref	Part	Qty
1	K10051-003	2
2	K10093-003	2
3	A25722-90P00	2
4	A00515-65P30	2
5	F11071-150	2
6	F11073-150	2



JRGD 

ASSEMBLY NOTES:

PART NUMBER	DESCRIPTION	QTY	LOCATION
F11071-150	HCS 3/8 x 3-1/2 UNF GR 5 Z	2	G2C
F11073-150	HCS 3/8 x 4 UNF GR 5 Z	2	G2C

A00515-65P30	AEON HOLLOW RUBBER SPRING	2	C5A
A25722-90P00	RUBBER SPACER 4"od x 1/2" thk w/ P Bushing	2	

K10051-003	WELDMENT PAINTED	2	E1A
K10093-003	WELDMENT PAINTED	2	D17E

B90200-CR	SMALL REAR BOX - 9.5 x 7 x 5.5	1	A--E
B10000	8" x 12" BUBBLE FOR KITS	1	
B00029-010	BARCODE LABEL FOR KIT	1	

Issued: 5/27/2021

Clearance Instructions:

Rear SES Kits for Pick-Ups and Vans should have a 1/2" to 1-1/2" gap between the rubber spring and contact point when empty.

A partial load, or vehicle accessories will reduce or eliminate the gap.

Front SES kits are usually in full contact.

Medium and Heavy-Duty Trucks, Trailers and Motorhomes will be in constant contact, and have no gap.

Lifetime Warranty:

Timbren SES Kits are warranted against defects in material and workmanship, under normal use and service, for the life of the vehicle on which the kit was originally installed. The warranty is not transferable and proof of purchase is required. The warranty is limited to the replacement of the failed part.

TIMBREN will not be responsible for any labour or freight charges involved in the replacement of any product. TIMBREN shall be entitled to make its own inspection to determine the validity of the claim. TIMBREN shall not be liable nor warranty the product in the event of alteration, misuse, overload, negligence or damage caused by others.

If ride or performance of our product is unsatisfactory in any way, please call: 1-800-263-3113 or email sales@timbren.com