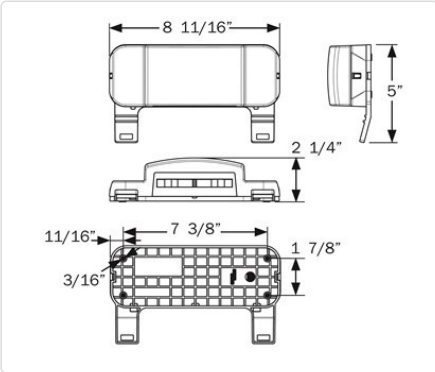




ONE
LED LAMPS
by optronics



RVSTL0060/61 SERIES

RVSTLB0061

RV combination tail light, driver side with license illuminator, black base

Polypack part no. RVSTLB0061P

Color	Red
Diodes	5
Lumens	--
Mount	Surface
Connection	Hard Wired
Pack Qty	48
FMVSS	S2 T2 I6 A L
Housing Material	Plastic
Lens Material	Acrylic
Voltage	12V
Amp Draw	Stop 0.32/Tail 0.01
Warranty	Lifetime LED Warranty
Weight	0.513 lbs.
Size/Shape	Rectangular
Dimensions (W x H x D)	8.688 x 5.000 x 2.250

Accessories

Bulk	Description	Qty
RV60BBK	DISCONTINUED - Wedge base mounting bezel for RVSTB60/61, RVSTLB60/61, and RVSTLB0060/61 lights, black	100