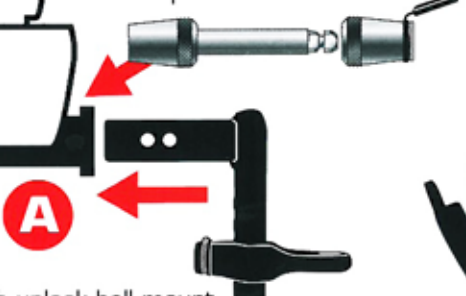




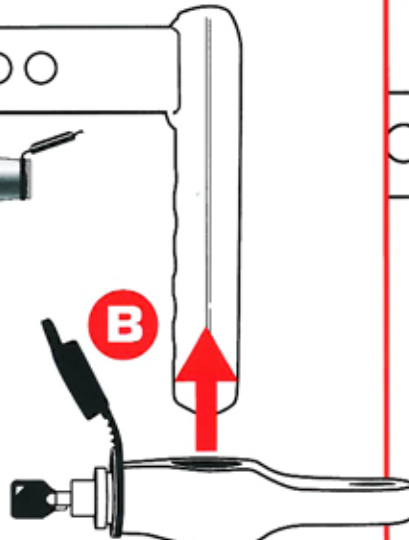
Adjustable Hitch System

Razor Hitch Installation

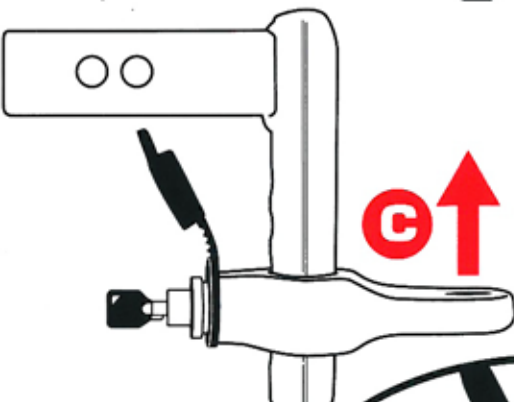
Slide ball mount tube into receiver box and lock securely with **TRIMAX™** receiver pin.



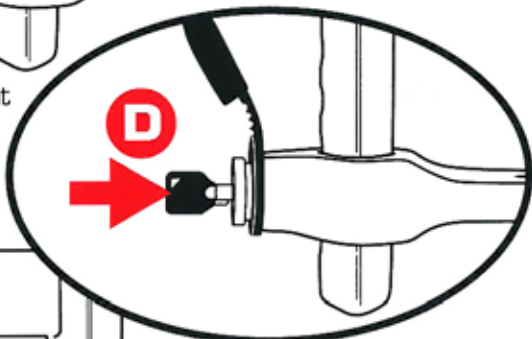
To unlock ball mount, insert and rotate key 1/4 turn, and pull back on lock core.



Slide ball mount onto drop bar and move to the desired height.

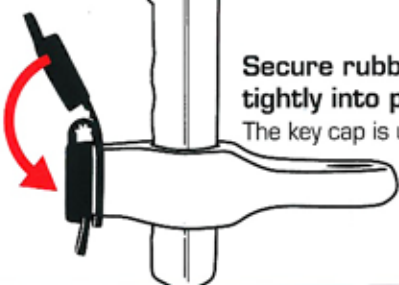


Once desired height is located push in locking pin and secure with key.



Secure rubber key cap tightly into place.

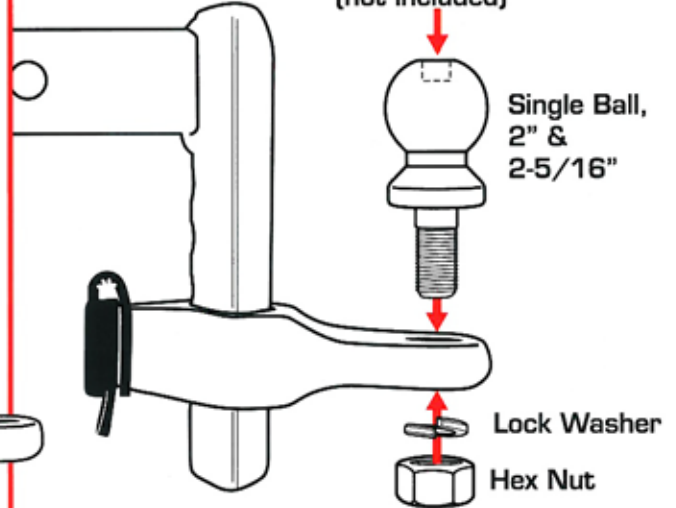
The key cap is used as a reminder to close lock correctly and for added safety.



Tow Ball Installation

Single Ball Installation:

1/2" Drive Ratchet (not included)

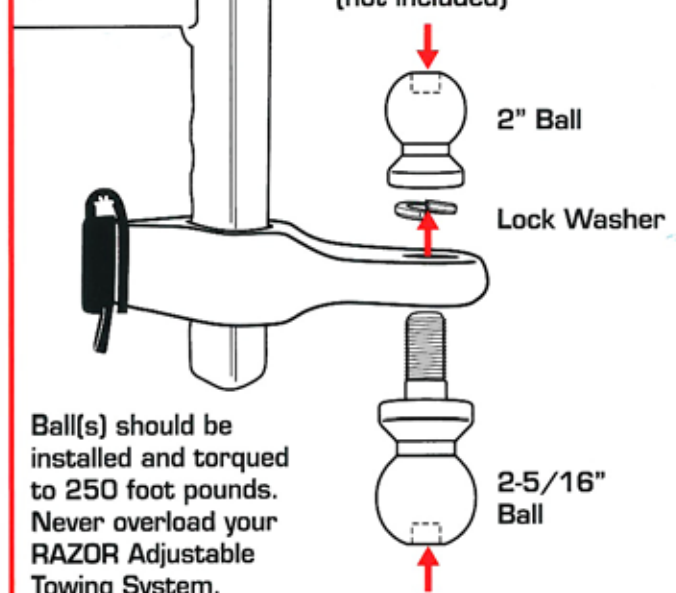


Single Ball, 2" & 2-5/16"

Lock Washer
Hex Nut

Dual Ball Installation:

1/2" Drive Ratchet (not included)



2" Ball

Lock Washer

2-5/16" Ball

Ball(s) should be installed and torqued to 250 foot pounds. Never overload your RAZOR Adjustable Towing System.

Weight tested to 10,000 Lbs. (Ball Limiting)

1/2" Drive Ratchet (not included)

! Never Exceed Weight Limit Of Your Tow Ball !



DO NOT OPERATE RAZOR HITCH WITHOUT CORRECTLY AND SECURELY FASTENING PROTECTIVE RUBBER KEY COVER!



Visit Us On The Web @ WWW.TRIMAXLOCKS.COM, Or Call: 866-796-8500

CAUTION! CAUTION! CAUTION! CAUTION! CAUTION!

SAFETY FIRST!!



Adjustable Hitch System

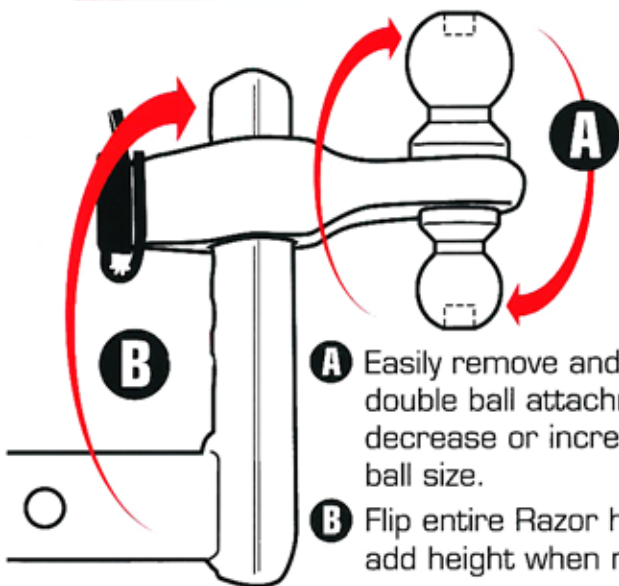
Grease Reservoir

Ball(s) should be installed and **torqued to 250 foot pounds.**

After installation, fill 1/2" drive sockets with a quality bearing grease, which can be dipped out and used to grease ball surface during towing.



Added Rise/Tow Ball Choice



A Easily remove and flip double ball attachment to decrease or increase ball size.

B Flip entire Razor hitch to add height when needed.

IMPORTANT CHECK LIST, Before You Drive

Make sure your vehicle and trailer maintenance are up to date before you drive. Review this easy to use check list to help ensure a safe trip every time.

- Properly secure safety chains and adjust hitch, coupler, draw bar and other equipment that connect the trailer and tow vehicle.**
- Tow ball/lug nuts/bolts on tow trailer and vehicle should be tightened to correct torque and **checked every 100 miles.**
- Check brakes on tow vehicle and trailer. These should be in good working order.
- Check tire pressure on tow trailer and vehicle before use. Correct if needed.
- Is wiring properly connected? Wiring should not touch the road but be loose enough to make turns without causing damage or plug to come disconnected.
- Are all running lights, brake lights, turn signals, and hazard lights in good working order?
- All items on and in trailer should be securely fastened.
- Trailer jack, tongue support, and any attached stabilizers should be raised and locked in place.
- Review load distribution. Make sure the tow vehicle and trailer load is properly distributed side to side and front to back.
- All mirrors should be set for good visibility.
- Review routes and restrictions on bridges and tunnels.
- Include wheel chocks and jack stands. **TRIMAX** Chock Locks #TCL65/75 are ideal for this application.

CAUTION!!!

Never overload your RAZOR Adjustable Towing System. Weight tested to 10,000 Lbs. **NEVER EXCEED WT LIMIT OF YOUR TOW BALL.** Always use standard towing procedures and follow supplied check list.



DO NOT USE/OPERATE RAZOR HITCH WITHOUT CORRECTLY AND SECURELY FASTENING PROTECTIVE RUBBER KEY COVER!



Visit Us On The Web @ WWW.TRIMAXLOCKS.COM, Or Call: 866-796-8500