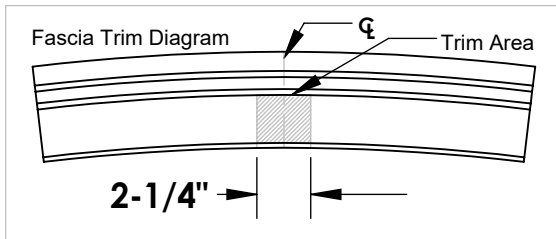
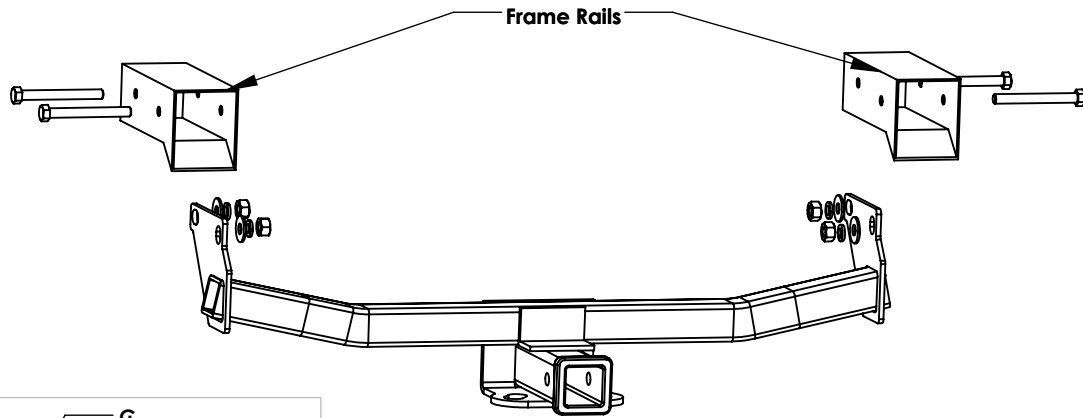


CLASS 3 TRAILER HITCH
R3-0121
 Jeep Compass/Patriot

TOOLS REQUIRED:
DRILLS: NONE
WRENCHES: 15/16"

3,500 LB GROSS TRAILER WEIGHT, 525 LB TONGUE WEIGHT. WARNING: CONSULT VEHICLE OWNERS MANUAL FOR TOWING RECOMMENDATIONS AND LIMITATIONS. THIS PRODUCT IS DESIGNED FOR TRAILER TOWING ONLY AND SHOULD NOT BE USED FOR ANY OTHER PURPOSE.

NOTE: INSTALL PARTS LOOSELY UNTIL ALL ATTACHMENTS HAVE BEEN MADE TO VEHICLE



Note: Compass Rallye, trim out a 2-1/4" wide section of fascia centered on the vehicle up to the cross hatch pattern on the fascia. The hitch will be behind the fascia. The cutout is to allow clearance for ball mounts. Get owner's permission before cutting.

Note: Compass and Patriot model years 2011 and later the fascia must be trimmed to install the hitch. Measure from the ground up to the bottom of the frame rails. Subtract 5" from that measurement and transfer to the fascia to determine the height of the cutout. Get owner's permission before cutting.

Note: For Jeep Patriots equipped with the optional tow hook on the driver's side, the tow hook must be removed to install the hitch. Return to vehicle owner.

1. Working from the outboard side of the frame rails, insert the four 5/8" hex bolts into the existing bushings in the frame rails. Leave the ends of the bolts flush with the inside of the frame rails.
2. Raise the hitch into position, push the hex bolts through the mounting holes in the hitch brackets and secure with the flat washers, lock washers and hex nuts provided.
3. Ensure the hitch is level and centered on the vehicle. Tighten all fasteners to the appropriate torque specifications shown below.

TIGHTEN ALL FASTENERS TO THE TORQUE SPECIFICATIONS SHOWN BELOW

Hardware Package: (4) 5/8-11 x 4-1/2" Hex Bolts (4) 5/8" Lock Washers
 (4) 5/8" Flat Washers (4) 5/8-11 Hex Nuts

GIVE THIS INSTRUCTION SHEET TO VEHICLE OWNER

BOLT TIGHTENING TORQUE (LB-FT)			
BOLT SIZE	TORQUE	BOLT SIZE	TORQUE
7/16"	50 LB FT	8MM	20 LB FT
1/2"	60 LB FT	10MM	38 LB FT
5/8"	100 LB FT	12MM	68 LB FT
3/4"	120 LB FT		

THIS PRODUCT COMPLIES WITH SAFETY SPECIFICATIONS AND REQUIREMENTS FOR SAE AND VESC REGULATION V-5 FOR CONNECTING DEVICES AND TOWING SYSTEMS. DO NOT MODIFY THIS PRODUCT. INSTALL ONLY ON SPECIFIED VEHICLES IN GOOD CONDITION.

RIGID[®]
HITCH INCORPORATED
 3301 WEST BURNSVILLE PARKWAY
 BURNSVILLE, MN 55337

REV.
 8/16