

PROPER USAGE:

This light is intended for off-road and utility use only

This light is intended to be mounted outside the vehicle while in use

This light may only be disassembled and repaired by an authorized representative

PRODUCT SAFETY WARNINGS

⚠ **WARNING:** You risk death or serious injury to yourself and others if you do not follow the instruction highlighted by the warning symbol. Failure to follow the specific warnings and instructions could result in personal injury, fire or electrical shock.

⚠ **WARNING:** This light is for off-road and utility use only. It is not designed or approved for road use as a driving light.

⚠ **WARNING:** This spotlight is not approved for underwater use

PRODUCT MISUSE

This spotlight is not approved for inverted mounting

This spotlight may be damaged if operated in icing conditions

This spotlight may only be disassembled and repaired by an authorized Golight® representative

This spotlight should not be turned on when snap on lens cover (rockguard) is attached.

Any violation of the above referenced misuses or warnings will be considered grounds for warranty refusal

PARTS / ACCESSORIES

Golight® RadioRay® parts and accessories may be purchased through Golight, Inc. Visit our web store at: <http://store.golight.com> or contact us at 308.278.3131 or 800.557.0098.

THREE YEAR LIMITED WARRANTY

Golight, Inc. warrants the GT against any deemed defects that are due to workmanship for parts or faulty materials, except halogen lamps, for three years from the date of the original purchase. The RadioRay® GT warranty does not cover damage resulting from unreasonable use or misuse, unreasonable maintenance or loss, or labor costs.

Warranty information must be filled out within 30 days of purchase at: <http://golight.com/products/registration.html>, for warranty protection.

If the Golight® GT does fail to operate under warranted specifications, Please call 1-800-577-0098 for a Return Goods Authorization number. After receiving an RGA#, send the light and remote controls postage paid to:

Golight, Inc.
Attn: RGA# _____
37146 Old Hwy 17
Culbertson, NE 69024-8226.

No C.O.D.'s accepted. Only the above manufacturer is authorized to perform warranty repair or replace product.

Any consequential damages to person or property are excluded from this warranty. Some states do not allow the exclusion and limitation of incidental or consequential damages, therefore the above limitations or exclusions may not apply to you. This warranty gives you specific legal rights and you may also have other rights.

END OF USEFUL LIFE

For information regarding the proper disposal/recycling of the spotlight contact Golight at 800.557.0098

MODEL NUMBERS: 2020GT, 2021GT, 20204GT, 20214GT

GOLIGHT®

Congratulations

You are now the owner of one of the finest remote control searchlights available today. Thank you for letting Golight® assist you in your lighting application needs. We're proud of our products and the technology that we've developed to ensure our customers the most durable, versatile and powerful searchlights in the lighting industry.

Please read these instructions before using your new Golight®.



Instruction Guide

The Golight® Model 2020GT, 2021GT, 20204GT and 20214GT spotlights are designed to be permanently attached to a vehicle and operated by a hardwired dash remote. Each spotlight has 370° horizontal rotation and 135° vertical tilt.

This Golight® includes:

- Golight® Spotlight
- Hardwired Dash Remote
- Wiring Harness – 20 foot (6 meter) long (other lengths available)
- Stainless Steel Mounting Bracket and Black Rubber Mounting Gasket
- Mounting Hardware Package with four round head sheet metal screws and four flat head machine screws
- Rockguard (Models 2020GT and 2021GT only)

MOUNTING INSTRUCTIONS – DASH REMOTE

1. Determine a location for dash remote. Create an opening in mounting surface for rearward facing components and drill holes for screws of your choice. Remote dimensions are shown in Figure 1.

Figure 1

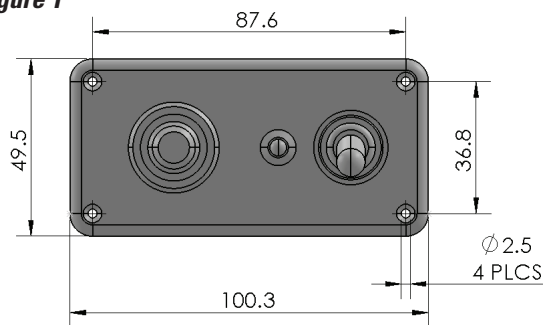


Figure 1 – Dash Remote – Dimensions in mm

2. The red and black wire leads on the dash remote need to be connected to a fused 12V DC power source on the vehicle. It is critical that polarity be observed. Connect vehicle positive (+) to red positive (+) wire. Connect vehicle chassis ground (-) to black ground (-) wire. Use appropriate wire gauge and fuse for your light and appropriate automotive wiring connectors.
3. Electrical requirements are as follows:

*Halogen Models – 2020GT & 2021GT
Max Current Draw: 5.5A @ 13.8V
Recommended Fuse: 7.5A to 10A*

*LED Models – 20204GT & 20214GT
Max Current Draw: 3.5A @ 13.8V
Recommended Fuse: 5A*

4. Connect the output connector on the rear of the remote to the mating connector on the wiring harness.
5. Attach the remote to the mounting surface with screws of your choice.

MOUNTING INSTRUCTIONS - SPOTLIGHT

1. Determine the location for the light on your vehicle. This should be a flat surface. The small arrow on the base indicates the normal forward direction of the light. The light will rotate to the left of this arrow 185 degrees and to the right 185 degrees. The lamp will tilt down 45 degrees and tilt up 90 degrees. The location should take into consideration this range of motion to maximize usability. Keep in mind the swing diameter is 261.4 mm (10.3 inches) from the center of the mounting plate – see Figure 2. This allows for clearance as the light is rotating.

Figure 2

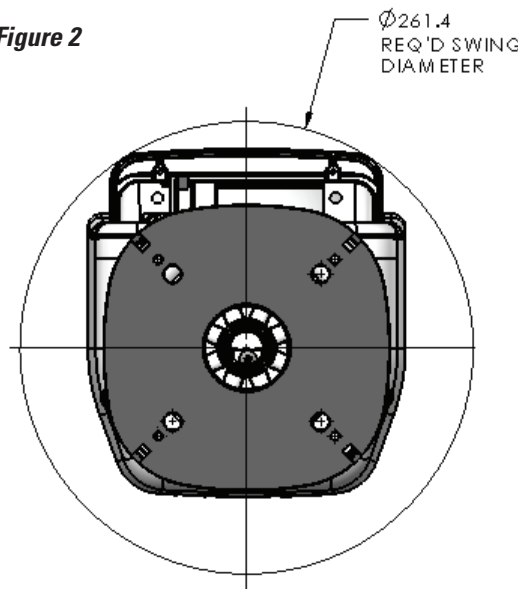


Figure 2 – Spotlight – Bottom View Looking Up – Dimensions in mm

2. Mounting bracket is designed to be mounted with either sheet metal screws (outer pattern) or combination of cap screws, nuts and washers (inner pattern). The sheet metal screws are supplied. You should choose hardware appropriate to the surface to which you intend to attach the light. Drill holes in mounting surface for either type of hardware depending upon your preference. Refer to Figure 3 for hole pattern dimensions or use holes in mounting bracket as a guide.

Figure 3

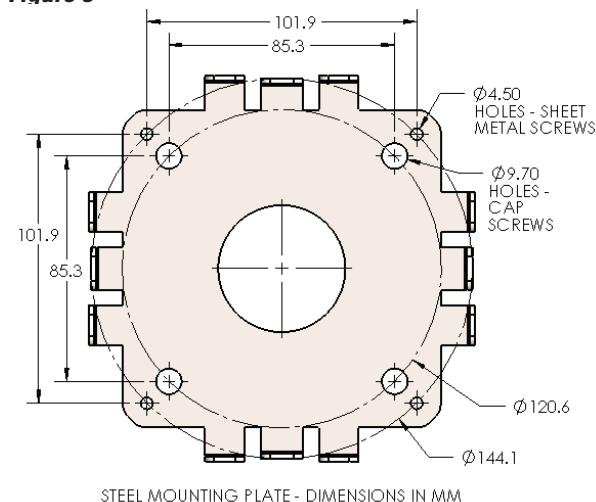


Figure 3 – Steel Mounting Bracket – Dimensions in mm

3. Drill a center hole in mounting surface for passage of power wiring harness. Minimum suggested diameter is 22 mm (7/8 inch).
4. Place the black mounting gasket under the mounting bracket and attach the bracket and gasket to vehicle using preferred hardware. Silicone or other like sealants should not be used around the mounting gasket as it will limit the ability to drain water properly.
5. Route the wiring harness from the remote through the vehicle to the mounting bracket.
6. Connect electrical connector on spotlight to mating connector on wiring harness.
7. Use silicone sealant to fill center hole around wiring harness. IMPORTANT: Allow 75 mm (3 inches) of cord to remain under light to ensure full 370 degrees rotation.
8. Seat spotlight base onto mounting bracket. Use four flathead machine screws (included) to secure spotlight to mounting plate. Press rubber tabs on mounting gasket into plastic base.
9. Mechanical and electrical installation of the spotlight is now complete.

OPERATION OF GOLIGHT® SPOTLIGHT

1. Use the toggle switch on the dash control to turn the light on/off. The red LED in the center of the dash control will light to indicate that the lamp is on.
2. The 4-way joystick on the dash control rotates and tilts the lamp to the desired position.
3. Spotlight must be on to rotate or tilt.