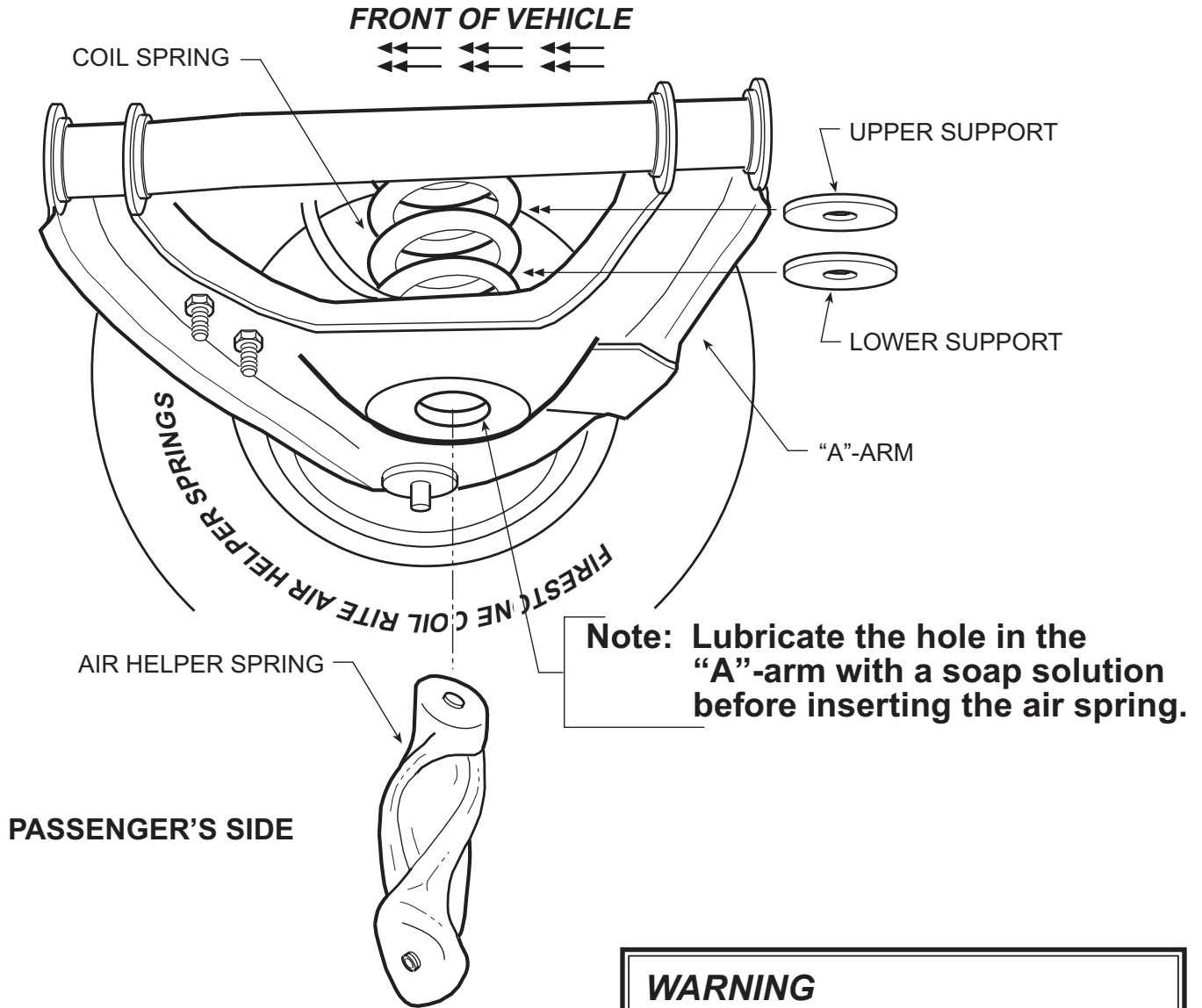


**READ INSTALLATION INSTRUCTIONS  
IN ITS ENTIRETY BEFORE INSTALLING  
YOUR COIL-RITE KIT**



**WARNING**

Do not inflate this assembly when it is unrestricted. The assembly must be restricted by a coil spring. Do not inflate beyond recommended operating pressures for your specific vehicle. Improper use or over inflation may cause property damage or severe personal injury.

**FIRESTONE INDUSTRIAL PRODUCTS  
CARMEL, INDIANA, USA**

**PARTS LIST**

DESCRIPTION	QTY.
AIR SPRING	2
SUPPORTS	4
18' AIR LINE ASSEMBLY	1
NYLON TIE	6
CLIP	2
3/8" -16 X FLANGED LOCK NUT	2
PUSH-TO-CONNECT INFLATION VALVE	2
5/16" FLAT WASHER	4
THERMAL SLEEVE	2

**RECOMMENDED OPERATING PRESSURES**

1/2 TON VEHICLES	4 - 45 PSI
3/4 TON VEHICLES	10 - 60 PSI
GM P-30 10,000 LB. - 15,000 LB. GVWR	40 - 70 PSI
GM P-30 16,000 LB. GVWR AND UP	60 - 90 PSI

# COIL-RITE INSTALLATION PROCEDURE

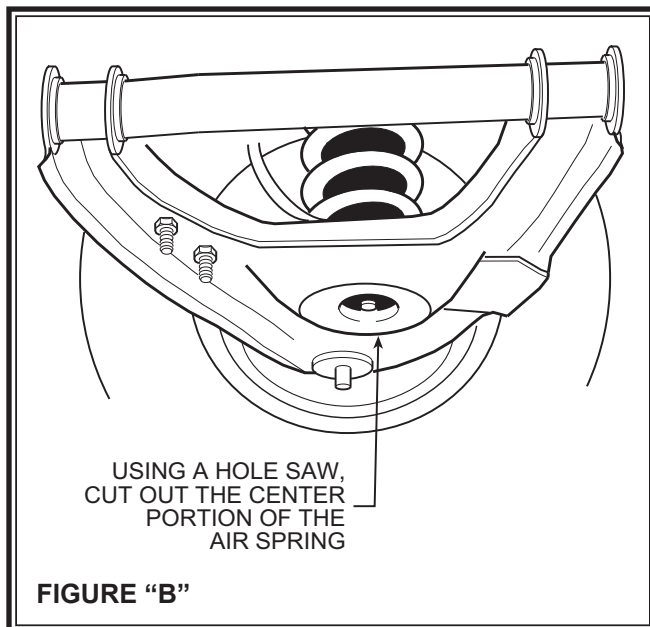
## STEP 1—PREPARE THE VEHICLE

With the vehicle on a solid level surface, chock the rear wheels. Disconnect the negative battery cable. Raise the front wheels of the vehicle using a lift or platform jack rated for your vehicle's weight. Lower the vehicle frame onto jack stands rated for your vehicle's weight, allowing the suspension to hang freely. (DO NOT use wood or concrete blocks to support the weight of the vehicle.)

## STEP 2—REMOVE THE EXISTING AIR SPRING

If the vehicle is not equipped with air springs, proceed to Step 3.

Exhaust the air from the air springs completely. Using an electric drill and a 1-1/2" hole saw without a guide bit, remove the center portion of the air spring in the hole in the lower A-arm. Lubricate the hole in the lower A-arm with a soap and water solution so that the air spring can easily be pulled through the hole. Pull the air spring through the hole in the A-arm with a pair of vise grips *see Figure "B"*. Remove the existing support located at the top of the coil spring.



## STEP 3—PREPARE THE AIR SPRING

Remove the inflation valve cap from the inflation valve on the air spring. Using the valve cap on the push-to-connect inflation valve as a core tool, remove the inflation valve core from the air spring. Hold it in the position as shown in *Figure "A"*.

## STEP 4—INSTALL THE AIR SPRING

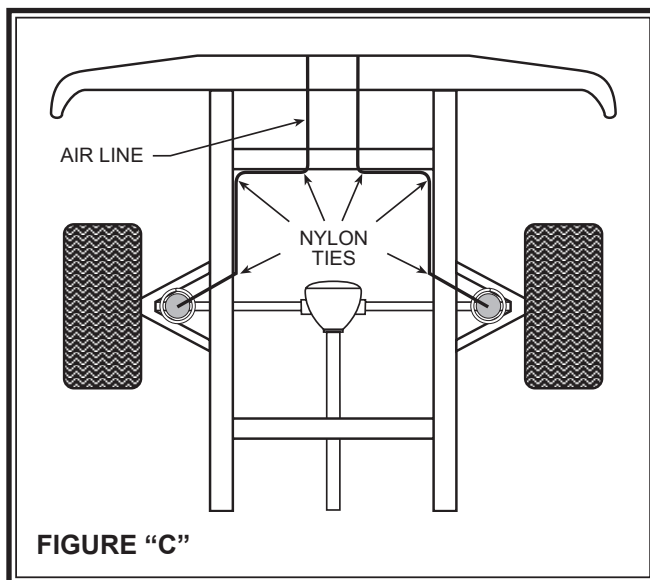
Insert the air spring into the hole in the lower A-arm so that the air inlet is oriented towards the ground *see Figure "A"*. With the air spring still rolled tightly, work it through the hole in the lower A-arm. Rotate the air spring while pushing it through the hole in the A-arm. Push the air spring completely through the hole. Allow the air spring to expand to its normal shape once inside the coil spring, *see Figure "B"*.

Using a blunt tire iron or socket extension, reach through the top of the coil spring and push the air spring downward. Insert the upper support through the coil spring. Place the upper support so that the stud in the upper spring seat inserts into the hole in the upper support, *see Figure "A"*.

Install the lower support in the same manner between the bottom of the air spring and the lower spring seat, *see Figure "A"*.

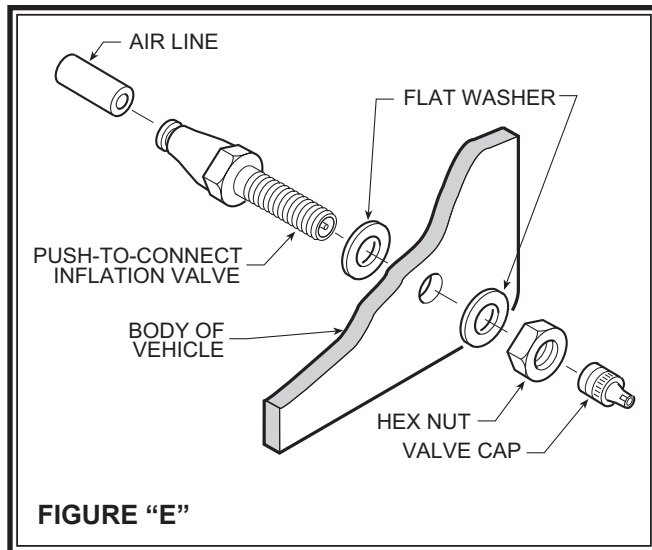
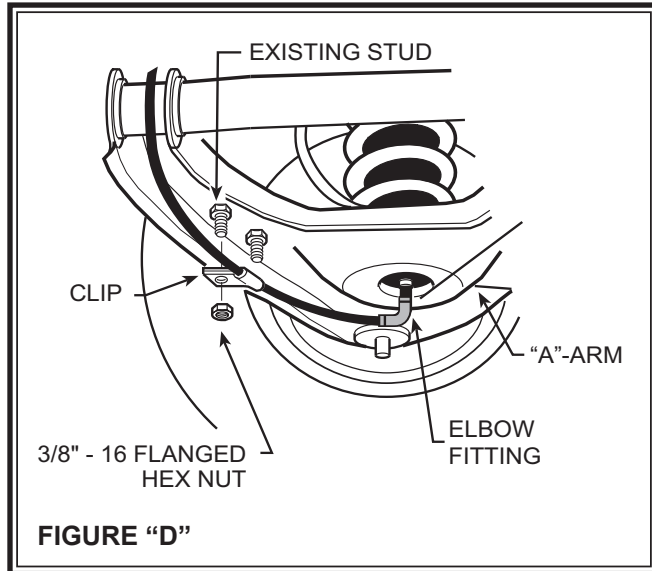
The hole in the lower support will provide access to allow the inflation valve core to be reinstalled.

Reinstall the inflation valve core in the bottom of the air spring. Use the valve cap of the push-to-connect inflation valve to tighten the core.



**Take all applicable safety precautions when installing your air springs.**

# COIL-RITE INSTALLATION PROCEDURE



## STEP 5—ROUTE THE AIR LINE

Cut the air line tubing into two equal lengths, making sure the end is cut squarely (a "saw" cut with a sharp knife is preferred). Route the air line from the elbow fitting to the desired inflation valve location, avoiding direct heat from the exhaust system, radiator, and away from sharp edges, **see Figure "C"**. This should be a protected location, such as under the hood or on the bumper. Do not fold or kink the air line tubing. Insert the air line into the fitting in the air spring. **See Figure "D"**.

Using the supplied nylon ties, secure the tubing to the vehicle. Attach the air line to the A-arm by installing the supplied clip over the existing stud in the A-arm, **see Figure "D"**. Install a 3/8" -16 flanged hex nut onto the stud over the clip. If your vehicle is not equipped with a threaded stud on the A-arm, a 3/8" -16 x 1-1/2" bolt (*not supplied*) can be used.

## STEP 6—INSTALL THE INFLATION VALVE

Drill a 5/16" hole where you wish to mount the inflation valve. Remember to keep the inflation valve in a protected area that is easily accessible. Attach the inflation valve to the bumper or body of the vehicle, **see Figure "E"**.

Cut the excess air line tubing so that it will fit easily into the inflation valve, making sure the end is cut squarely (a "saw" cut with a sharp knife is preferred). Push the end of the tubing into the inflation valve as far as possible.

## STEP 7—INSTALL THE OPPOSITE-SIDE AIR SPRING

Follow Steps 2-6 to install the second air spring on the remaining side of the vehicle.

## STEP 8—COMPLETION

This now completes the installation. Jack the vehicle up and remove the jack stands. Reattach the negative battery cable. Remove the wheel chocks from the rear wheels.

## STEP 9—INFLATE AND TEST

Check the recommended inflation pressure and inflate the air springs to recommended maximum operating pressure (**see page 1 for operating pressures**). With a soap and water solution, check for air leaks around the fittings and valve core. We recommend inflating and deflating in 5 psi increments to find the ideal riding condition for your vehicle.

**FOR BEST RIDE** use only enough air pressure in the air helper springs to level the vehicle when viewed from the side (front to rear). This amount will vary depending on the load, location of load, condition of existing suspension and personal preference.

**NOTE: Check air pressure on a monthly basis.**

**FOR MORE INFORMATION OR  
TECHNICAL ASSISTANCE CALL:  
1-800-888-0650**



[www.riderite.com](http://www.riderite.com)



# Do Not Return This Product to the Dealer or Distributor

## If you are

- missing parts,
- experiencing installation problems, or
- have technical concerns regarding this product,

you may contact a Firestone Technical Service Representative at [rrtech@fsip.com](mailto:rrtech@fsip.com) or at 800-888-0650 (option 1, and then option 2). Representatives are available from 7:30 a.m. – 4:30 p.m. Eastern on Monday – Friday, excluding holidays. If you are located outside of the United States, you should first contact your distributor or dealer directly with any issues.

When contacting Technical Service, please have the kit or part # ready, along with the make, model, and year of the vehicle. You may also need to provide details, such as 2WD/4WD or if the vehicle has been lifted or lowered from stock height.

If you have a warranty concern, please include in your email a detailed description of the situation, a photo(s) of the issue, and your contact information, including ship-to address.

**WARRANTY COVERAGE\***— The Ride-Rite™ kits, components, and accessories are warranted against defects in workmanship and materials. This warranty does not cover service or labor charges, neglect...to the product.

### **PERIOD OF COVERAGE:**

- |   |  |
|---|--|
| • Ride-Rite air springs – Lifetime Limited  | • Work-Rite load assists – 2 Years Limited                                       |
| • Sport-Rite air springs – Lifetime Limited | • Air-Rite accessories – 2 Years Limited   |
| • Coil-Rite air springs – Lifetime Limited  | • Brackets, hardware, fittings, air line, and other components – 2 Years Limited |
| • Level-Rite air springs – Lifetime Limited |  |

**HOW TO MAKE A WARRANTY CLAIM** — If you purchased your air springs in the U.S. or Canada and believe you have a part with a warrantable defect, call Firestone directly at 1-800-888-0650.

International customers should contact their distributors or dealers directly with any problems.

(\*) Please refer to the “Firestone Limited Lifetime Air Spring Warranty” for details, terms, and conditions.

## **FIRESTONE LIMITED LIFETIME AIR SPRING WARRANTY**

Firestone Industrial Products Company LLC ("Firestone") warrants that its Ride Rite Air Spring Assembly will perform according to the manufacturer's specifications for as long as the vehicle on which the system was originally installed is owned by the original retail purchaser. This limited warranty does not include installation or other service charges for replacement.

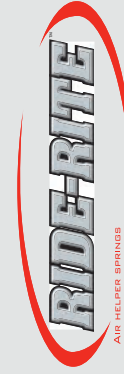
### Warranty Period

The Air Spring is warranted for as long as the original purchaser owns the vehicle on which it was originally installed. The fasteners and upper and lower brackets which accompany the air spring are warranted for a period of twenty-four (24) months or 24,000 miles whichever occurs first. This warranty begins on the original retail delivery date.

### What is Covered

Any implied warranties are limited in duration to the coverage period of this warranty (some states do not allow limitation on how long an implied warranty lasts so the above limitation may not apply to you). This Warranty runs in favor of the original retail purchaser when the Ride Rite Air Spring Assembly is used under normal operating conditions according to Firestone's specifications and installed on the appropriate application. This warranty does not apply to Ride Rite Air Spring Assemblies that have been improperly applied, improperly installed, used in racing or off road applications or used for commercial purposes. In addition, the warranty will not apply to products which have not been maintained and serviced according to the instructions that accompany the air spring assembly. The consumer will be responsible for any costs incurred in removing the product from the vehicle and the cost to return the air spring assembly to the dealer or installer from which it was purchased. If it is determined that the Ride Rite Air Spring Assembly failed as a result of a manufacturing defect, Firestone will repair or replace, at its option, any product or components subject to this warranty. You should retain a copy of your contract with your installer and your receipt as proof of the date of installation. This warranty is non-transferable and is not assignable in any way.

**Firestone specifically excludes any obligation for consequential damages or incidental expenses including claims for loss of use of the product, loss of time, inconvenience, or commercial loss. This warranty gives you specific legal rights. You may also have other rights that may vary from state-to-state. Some states do not allow limitations on how long an implied warranty lasts or allow the exclusion or limitation of incidental or consequential damages. The above limitation or exclusion may not apply to you. There are no warranties, express or implied, including implied warranty of merchantability and fitness which extend beyond this warranty.**



**Firestone**  
**World's Number 1**  
**Air Spring.**



FIRESTONE INDUSTRIAL PRODUCTS COMPANY