



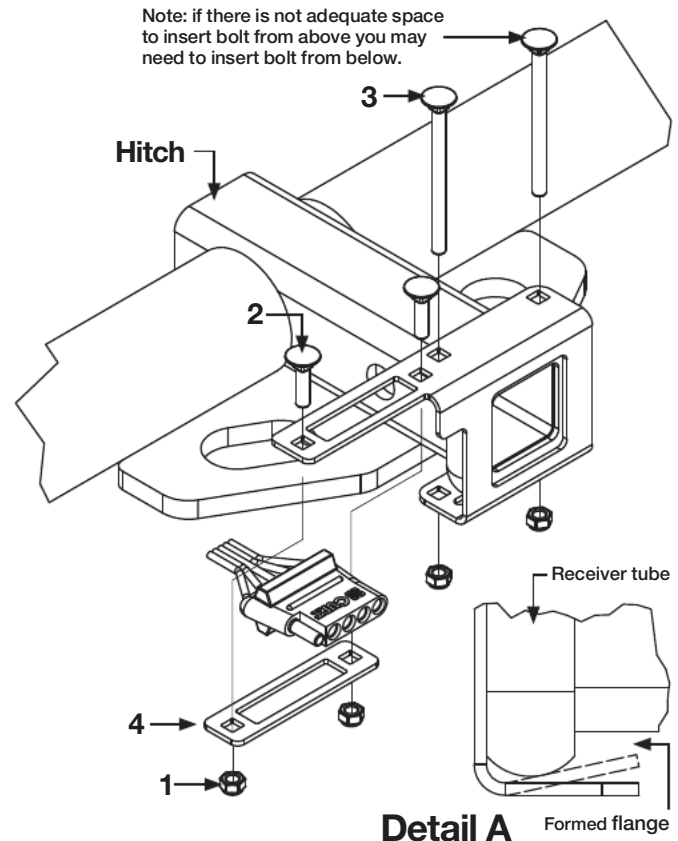
INSTALLATION INSTRUCTIONS

EASY-MOUNT ELECTRICAL BRACKET



PARTS LIST

Item#	Qty	Description
1	4	Nylock nut, M5 - 0.8
2	2	Carriage bolt, M5 - 0.8 x 20mm
3	2	Carriage bolt, M5 - 0.8 x 65mm
4	1	Mounting bracket



WARRANTY

CURT Manufacturing LLC., warrants this product to be free of defects in material and/or workmanship at the time of retail purchase by the original purchaser. If the product is found to be defective, CURT Manufacturing LLC., may repair or replace the product, at their option, when the product is returned, prepaid, with proof of purchase. Alteration to, misuse of, or improper installation of this product voids the warranty. CURT Manufacturing LLC.'s liability is limited to repair or replacement of products found to be defective, and specifically excludes liability for incidental or consequential loss or damage.

NOTES

Prior to installing the electrical bracket check for adequate clearance for the bracket, plug(s) and wiring. Forming the lower bracket flange prior to installation can help create a tighter fit during installation. Do this by pushing the lower flange against the ground until it creates a snug fit around the receiver tube. See Detail A.

INSTALLATION

Step 1

Attach the 4- or 5-way plug using the provided hardware, as shown. Tighten the hardware evenly until snug. Overtightening the hardware can cause the front of the bracket to bow or the hardware to break.

Step 2

Slide the electrical bracket over the receiver tube collar.

Step 3

Secure the electrical bracket to the receiver tube collar using the provided hardware, as shown.