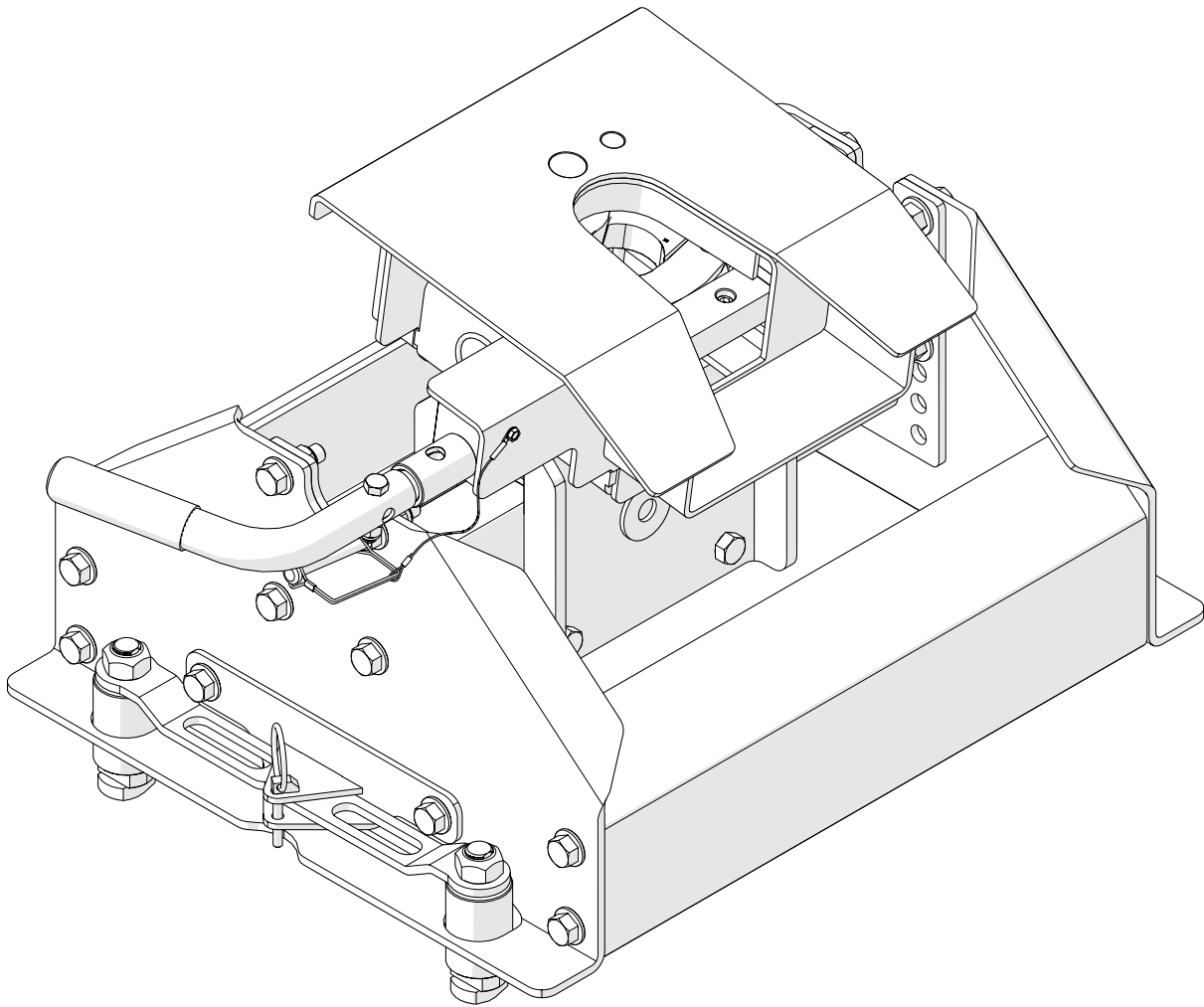




Doing Our Best to Provide You the Best

HJ26365, Rev 0
10/20

5TH WHEEL HITCH 31K
CHEVY/GMC OE PREP UNDER BED 2020-PRESENT



OPERATOR MANUAL

WARRANTY POLICY, OPERATOR MANUALS, PARTS MANUALS & REGISTRATION

Go online to www.demco-products.com to review Demco warranty policies, operator manuals and register your Demco product.

Torque Specifications

BOLT TORQUE DATA FOR STANDARD NUTS, BOLTS, AND CAP-SCREWS.

Tighten all bolts to torques specified in chart unless otherwise noted. Check tightness of bolts periodically, using bolt chart as guide. Replace hardware with same grade bolt.

NOTE: Unless otherwise specified, high-strength Grade 5 hex bolts are used throughout assembly of equipment.

Torque figures indicated are valid for non-greased or non-oiled threads and heads unless otherwise specified. Therefore, do not grease or oil bolts or capscrews unless otherwise specified in this manual. When using locking elements, increase torque values by 5%.

* GRADE or CLASS value for bolts and capscrews are identified by their head markings.

Bolt Torque for Standard bolts *

"A"	GRADE 2		GRADE 5		GRADE 8	
	lb-ft	(N.m)	lb-ft	(N.m)	lb-ft	(N.m)
1/4"	6	(8)	9	(12)	12	(16)
5/16"	10	(13)	18	(25)	25	(35)
3/8"	20	(27)	30	(40)	45	(60)
7/16"	30	(40)	50	(70)	80	(110)
1/2"	45	(60)	75	(100)	115	(155)
9/16"	70	(95)	115	(155)	165	(220)
5/8"	95	(130)	150	(200)	225	(300)
3/4"	165	(225)	290	(390)	400	(540)
7/8"	170	(230)	420	(570)	650	(880)
1"	225	(300)	630	(850)	970	(1310)

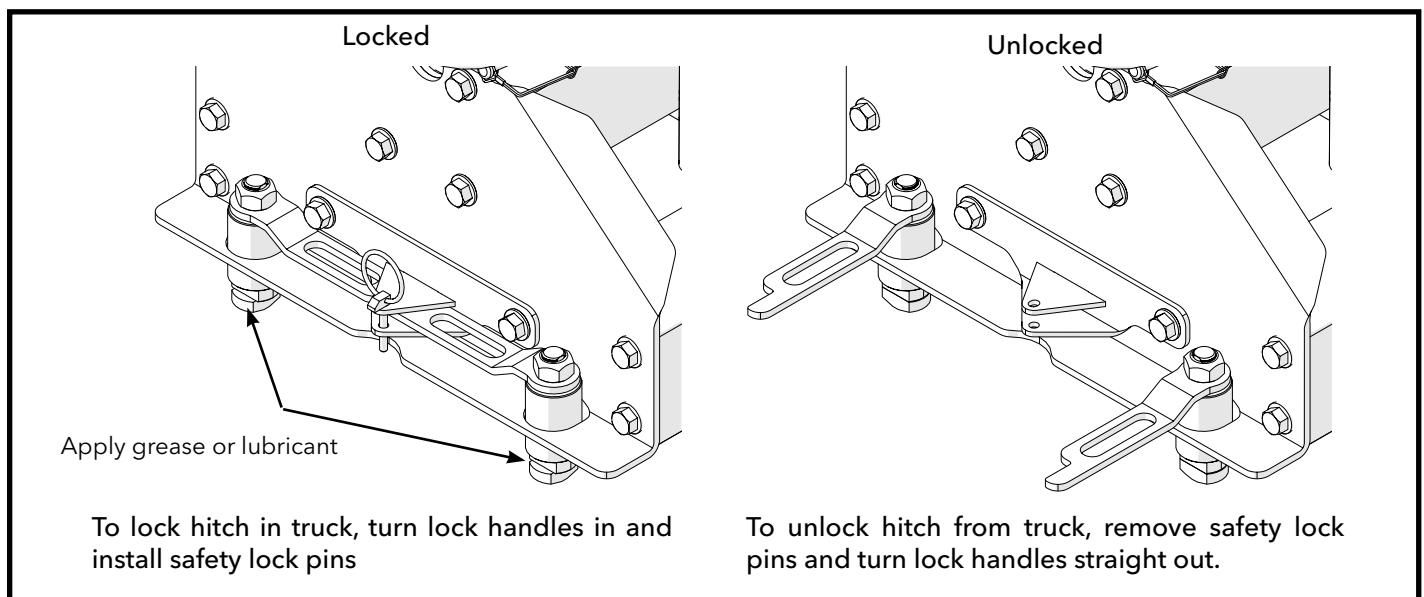
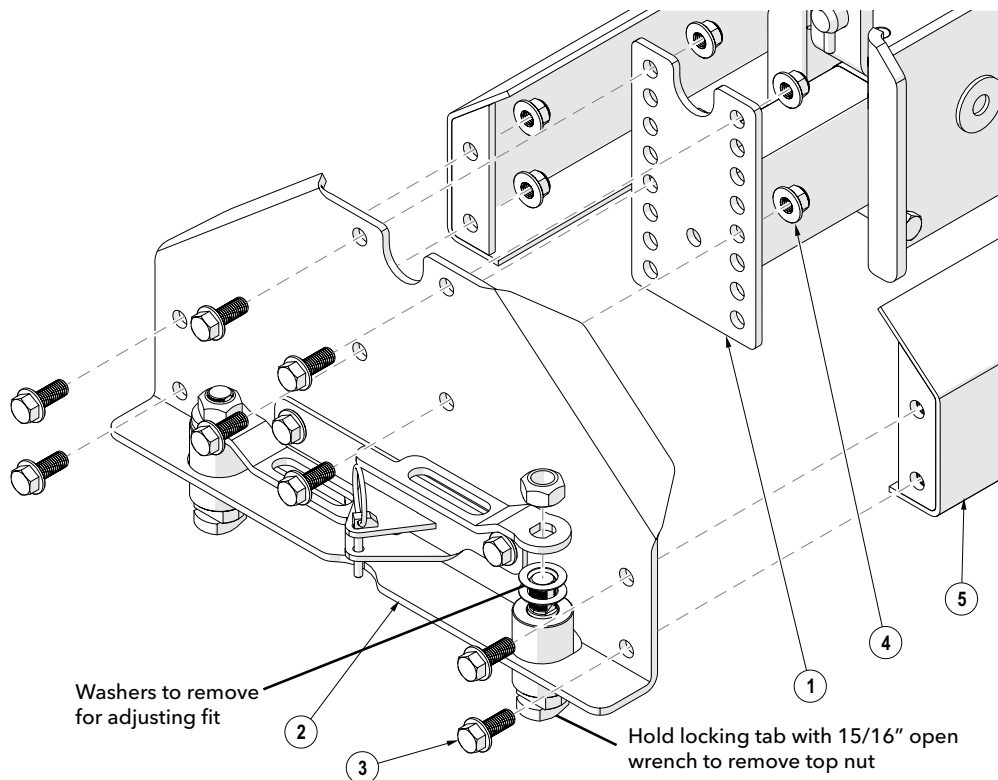
Bolt Torque for Metric bolts *

"A"	CLASS 8.8		CLASS 9.8		CLASS 10.9	
	lb-ft	(N.m)	lb-ft	(N.m)	lb-ft	(N.m)
6	9	(13)	10	(14)	13	(17)
7	15	(21)	18	(24)	21	(29)
8	23	(31)	25	(34)	31	(42)
10	45	(61)	50	(68)	61	(83)
12	78	(106)	88	(118)	106	(144)
14	125	(169)	140	(189)	170	(230)
16	194	(263)	216	(293)	263	(357)
18	268	(363)	--	--	364	(493)
20	378	(513)	--	--	515	(689)
22	516	(699)	--	--	702	(952)
24	654	(886)	--	--	890	(1206)

Side Rail Assembly Instructions

1. Turn locking handles out and place the side rail plates #2 into the base rail holes in truck box. Turn the locking handles in, if they do not turn in, you can adjust them by removing washers under the handle. See illustration below.
2. Loosely bolt the saddle bracket #1 to the side rails #2 using the 1/2" x 1 1/2" bolts #3, and nylon lock nuts #4 provided in the bolt package.
3. Loosely bolt the cross braces #5 to the side rails #2 using only 1/2" x 1 1/2" bolts #3 and nylon lock nuts #4.
4. Tighten all the bolts.
5. Unlock and remove the hitch assembly from the base rails and put to the side for later.

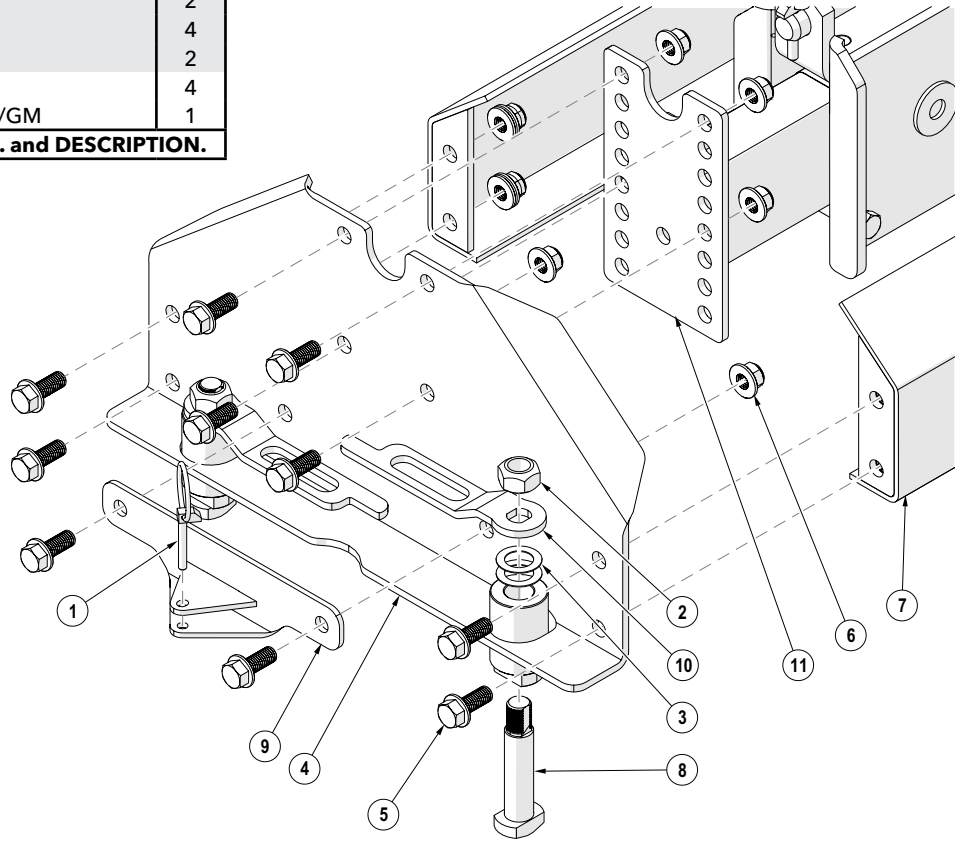
IMPORTANT NOTE: Apply a little grease or lubricant to the part of the pins that insert into the base rails to help maintain smooth operation and rotation of pins and to protect from the elements. Turn the pins occasionally to prevent them from seizing.



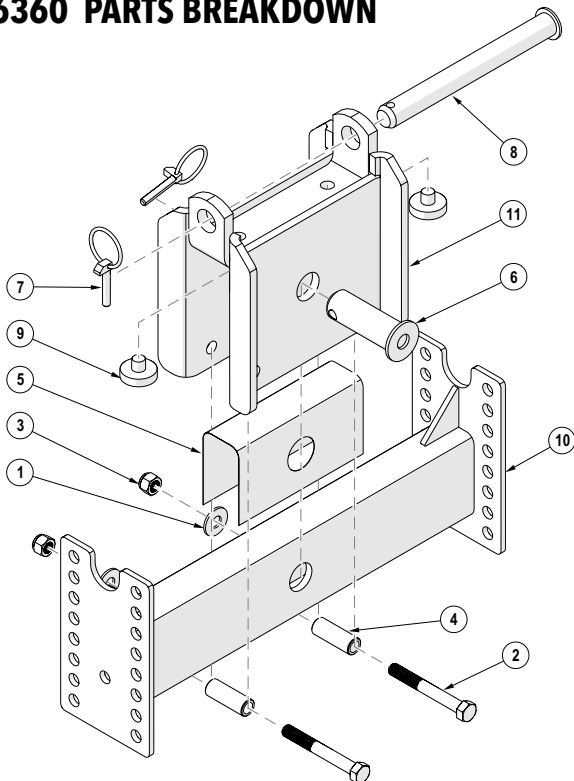
HITCH BASE PARTS BREAKDOWN

ITEM	PART #	DESCRIPTION	Qty
1	02397	LYNCH PIN	2
2	09726	NUT .75NF LOCK STOVER GR. C	4
3	14423	WASHER SHIM .875 ID X .030 THK	8
4	14462	SIDE RAIL	2
5	16589	BOLT .50NC X 1.50 GR5 HEX FLANGE	20
6	16590	NUT, .50NC LOCK, NY. INSERT FLANGE	20
7	16849	GM UMS 21K BRACE	2
8	17112	LOCKING STUD	4
9	17120	LATCH LOCKING MNT	2
10	17121	HANDLE	4
11	6360	5th WHEEL SADDLE 30K F/GM	1

Please order replacement parts by PART NO. and DESCRIPTION.



6360 PARTS BREAKDOWN



ITEM	PART #	DESCRIPTION	Qty
1	00085	.50 FLAT WASHER	2
2	01896	BOLT .50NC X 4.00 GR5 HEX	2
3	02178	NUT, .50NC LOCK, NY. INSERT	2
4	14153	PIVOT SPACER BUSHING	2
5	14207	TEFLON SHIM	1
6	14209	PIVOT PIN ASSY.	1
7	14221	LYNCH PIN, .313	2
8	14222	AS PIVOT PIN 1" X 9.38	1
9	15769	URETHANE PIVOT BUMPER 3/8" THICK	2
10	16848	GM PIVOT SADDLE TUBE ASSY.	1
11	17109	PIVOT SADDLE ASSEMBLY	1

Please order replacement parts by PART NO. and DESCRIPTION.

DEMCO

4010 320th St., Boyden, IA. 51234

Phone: (712) 725-2311

Fax: (712) 725-2380

Toll Free: 1-800-54DEMCO (1-800-543-3626)

Demco warranty policies, operator manuals, and product registration can be found online:

www.demco-products.com

