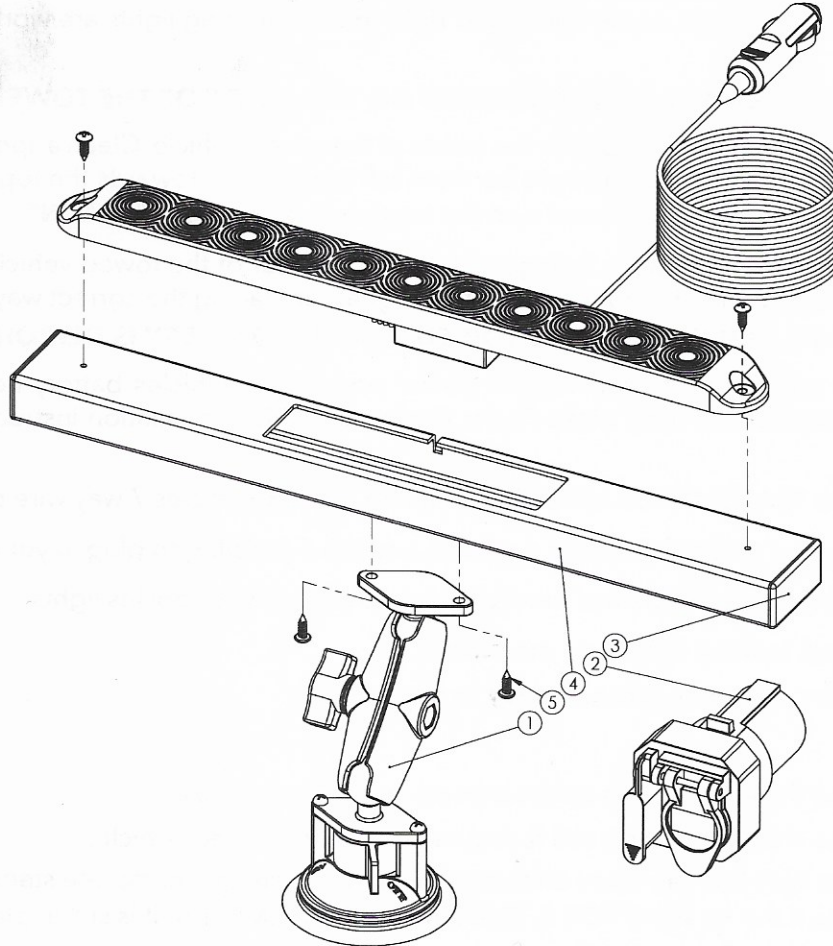


## WIRELESS LED LIGHT BAR

#6343



ITEM	PART #	QTY	DESCRIPTION
1	6340	1	LIGHT BAR MOUNTING KIT
2	6341	1	TRANSMITTER & RECEIVER KIT
3	16868	2	END CAP
4	69871	1	LIGHT BAR TUBE
5	16045	4	SCREW #8 X .50 SHEET METAL
6	6342	1	POWER OUTLET KIT (NOT SHOWN)

Please order replacement parts by PART NO. and DESCRIPTION.

OPERATOR MANUAL

**Warning:**

**A.** Do NOT install light bar in a vehicle with more than factory window tint.

**1.** After unpacking the light bar, test the light bar by plugging the RV ADAPTOR & TRANSMITTER ASSEMBLY unit into any vehicle with a 7 way wire plug. Plug the light bar into the power port in the vehicle. Turn the vehicle on and make sure that the running lights, brake lights, and right and left turning lights are working properly on the light bar.

**NOTE: THIS LIGHT BAR IS INTENDED TO BE MOUNTED ON THE *INSIDE* OF THE TOWED VEHICLE.**

**2.** After testing the light bar, place the light bar on the inside of the towed vehicle. Clean a spot on the inside of the rear window of the towed vehicle. Center the light bar from left to right and towards the top side of the window.

**3.** Press the suction cup tight to the window and turn the suction cup from "OFF" to "ON".

**4.** Adjust the mounts so that the light bar is facing out towards the rear of the towed vehicle and parallel to the ground. Position the light bar so that the right and left turn signals are facing the correct way.

**NOTE: THE LIGHT BAR WILL NOT WORK IF THE TOWED VEHICLES BATTERY IS DISCONNECTED.**

**5.** Plug the light bar into an existing towed vehicle power port. If the vehicles battery needs to or becomes disconnect during the tow, install a hard wired Power Outlet Kit (6342). Installation instructions come with the Power Outlet Kit (6342).

**6.** Plug the RV ADAPTOR & TRANSMITTER ASSEMBLY unit into the tow vehicles 7 way wire plug.

**NOTE:** If you are flat towing or dinghy towing a vehicle, use the 6 pin plug to plug in your braking system.

**NOTE:** If you are dolly towing a vehicle use the 4 pin plug to plug in your dollies lights.

**7.** Once setup is completed, test the lights one more time.

**8.** If all the lights are working correctly, you are ready to go.

**9.** Periodically:

**A.** Check to see if the light bar is still suctioned to the rear window.

**B.** Check to see if the light bar is still facing the rear of the towed vehicle.

**NOTE:** If the light bar has fallen off the rear window or shifted, complete steps 2 through 4.

**C.** Check to see if the RV ADAPTOR & TRANSMITTER ASSEMBLY unit is still in place.

**D.** Check to see if the light are still working properly.

**10.** For Instructional Video See Demco's Website: [www.demco-products.com/rv-towing/videos](http://www.demco-products.com/rv-towing/videos).

**DEMCO**

4010 320th St., Boyden, IA. 51234

Phone: (712) 725-2311

Fax: (712) 725-2380

Toll Free: 1-800-54DEMCO (1-800-543-3626)

**Demco warranty policies, operator manuals, and product registration  
can be found online:**

[www.demco-products.com](http://www.demco-products.com)

