

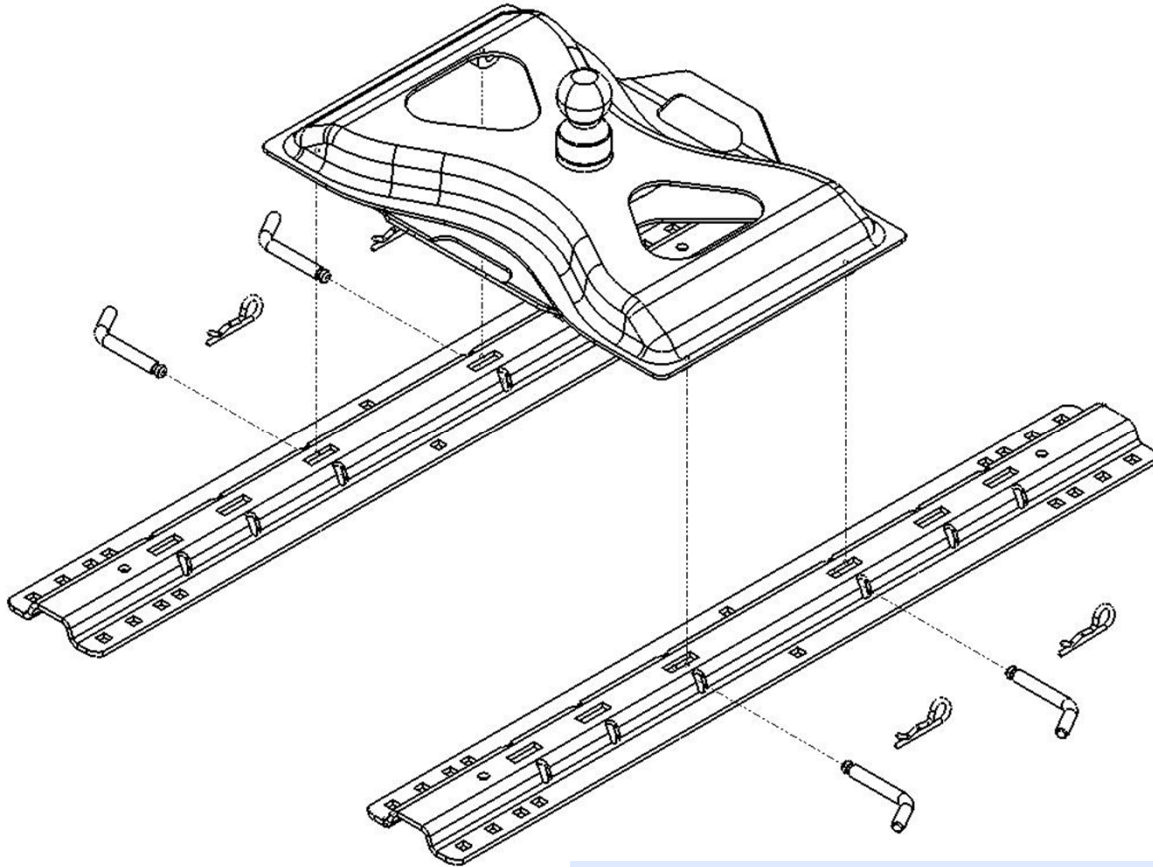
REESE

You *can* take it with you.

INSTALLATION INSTRUCTIONS GOOSENECK HITCH

Product No.
58079

SMALL PARTS
PACKAGE 30553



WARNING

DO NOT EXCEED THE
MANUFACTURERS **GVWR**
FOR YOUR VEHICLE.

Note!

**Block rear of trailer when loading
and unloading trailer to prevent
negative trailer tongue load when
using this product.**

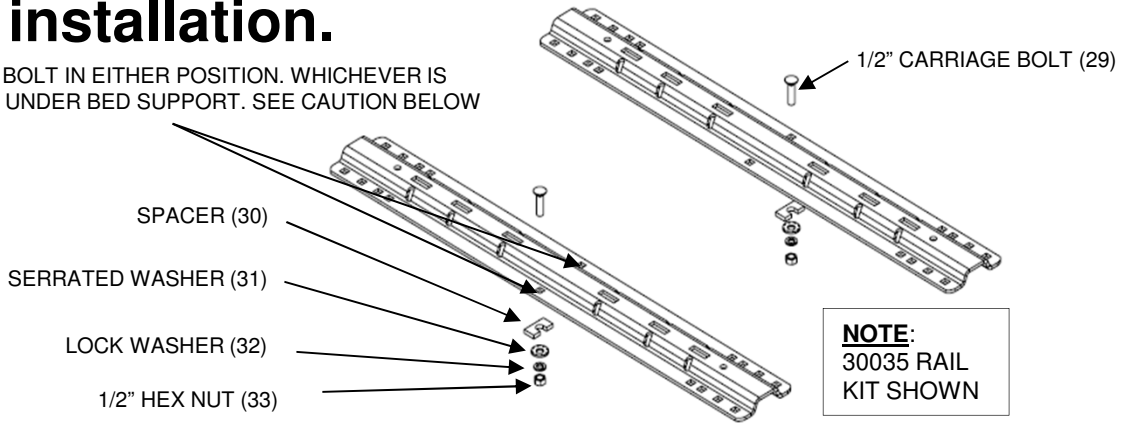
1. Place base rails across truck bed. Place hitch on base rails to establish spread between rails and install base rail mounting kit per installation instructions. If not directed in base rail mounting instructions, drill holes and add additional fasteners (supplied with the gooseneck ball mount) at center holes in base rails using the hole closest to the truck bed channel (See page 2).
2. Install pull pins and lock in place with spring cotter pins.
3. When safety chains are used, place chain link in slot and install additional pull pins (not furnished) and lock in place with spring cotter pins (not furnished). Safety chain kit 50223 can be used.

Caution: Before towing, inspect hitch for damage, clean and lubricate ball, inspect all clips and pins that hold the ball in place and the hitch to the rails.

For Installation Assistance or Technical Help, Call 1-888-521-0150

Supplement to base rail kits – if not directed by initial installation.

INSTALL BOLT IN EITHER POSITION. WHICHEVER IS CLOSEST TO UNDER BED SUPPORT. SEE CAUTION BELOW



ADDITIONAL MOUNTING INSTRUCTIONS:

Install base rails as instructed in base rail instructions. The instruction below is for the addition of the 2 center bolts if not already installed.

1. Place base rails in accordance with base rail mounting instructions.
- ⚠ CAUTION - BEFORE DRILLING ANY HOLES, CHECK FOR CLEARANCE AROUND THE GAS TANK OR OTHER OBSTRUCTIONS.
2. Using the center hole in the base rail as a guide, drill a 1/2" hole through the truck bed. Paint bare metal.
3. Insert 1/2" carriage bolt (29) into the hole. Install 1/2" serrated washer (31), 1/2" lock washer (32) and 1/2" nut (33).
4. Insert spacer (30) between the truck bed and the base rail. It will go in between at the corrugation of the bed. To keep bed from crushing when the bolt is tightened.
5. Repeat for the other base rail.
6. Torque the 1/2" nuts to 75 ft/lbs.

For Installation Assistance or Technical Help, Call 1-888-521-0510

LIMITED LIFETIME WARRANTY

Part No: _____
Original Owner: _____

Date of Original Purchase: _____
Original Installer: _____

1. Limited Lifetime Warranty ("Warranty"). Cequent Performance Products, Inc. ("We" or "Us") warrants to the original consumer purchaser only ("You") that the product will be free from material defects in both material and workmanship, ordinary wear and tear excepted; provided that installation and use of the product is in accordance with product instructions. There are no other warranties, express or implied, including the warranty of merchantability or fitness for a particular purpose. This warranty is not transferable.
2. Limitations on the Warranty. This Warranty does not cover: (a) normal wear and tear; (b) damage through abuse, neglect, misuse, or as a result of any accident or in any other manner; (c) damage from misapplication, overloading, or improper installation; (d) improper maintenance and repair; and (e) product alteration in any manner by anyone other than Us, with the sole exception of alterations made pursuant to product instructions and in a workmanlike manner.
3. Obligations of Purchaser. To make a Warranty claim, contact Us, at our principal address of 47912 Halyard Dr. Suite 100, Plymouth, MI 48170, 1-888-521-0510, identify the product by model number, and follow the claim instructions that will be provided. Any returned product that is replaced by Us becomes our property. You will be responsible for return shipping costs. Please retain your purchase receipt to verify date of purchase and that You are the original consumer purchaser. The product and the purchase receipt must be provided to Us in order to process Your Warranty claim.
4. Remedy Limits. Product replacement is Your sole remedy under this Warranty. We shall not be liable for service or labor charges incurred in removing or replacing a product or any incidental or consequential damages of any kind.
5. Assumption of Risk. You acknowledge and agree that any use of the product for any purpose other than the specified use(s) stated in the product instructions is at Your own risk.
6. Governing Law. This Warranty gives You specific legal rights, and You also may have other rights which vary from state to state. This Warranty is governed by the laws of the State of Michigan, without regard to rules pertaining to conflicts of law. The state courts located in Oakland County, Michigan shall have exclusive jurisdiction for any disputes relating to this Warranty.

Cequent Performance Products, Inc.
47912 Halyard Dr., #100
Plymouth, MI 48170 USA