

# ASSEMBLY INSTRUCTIONS

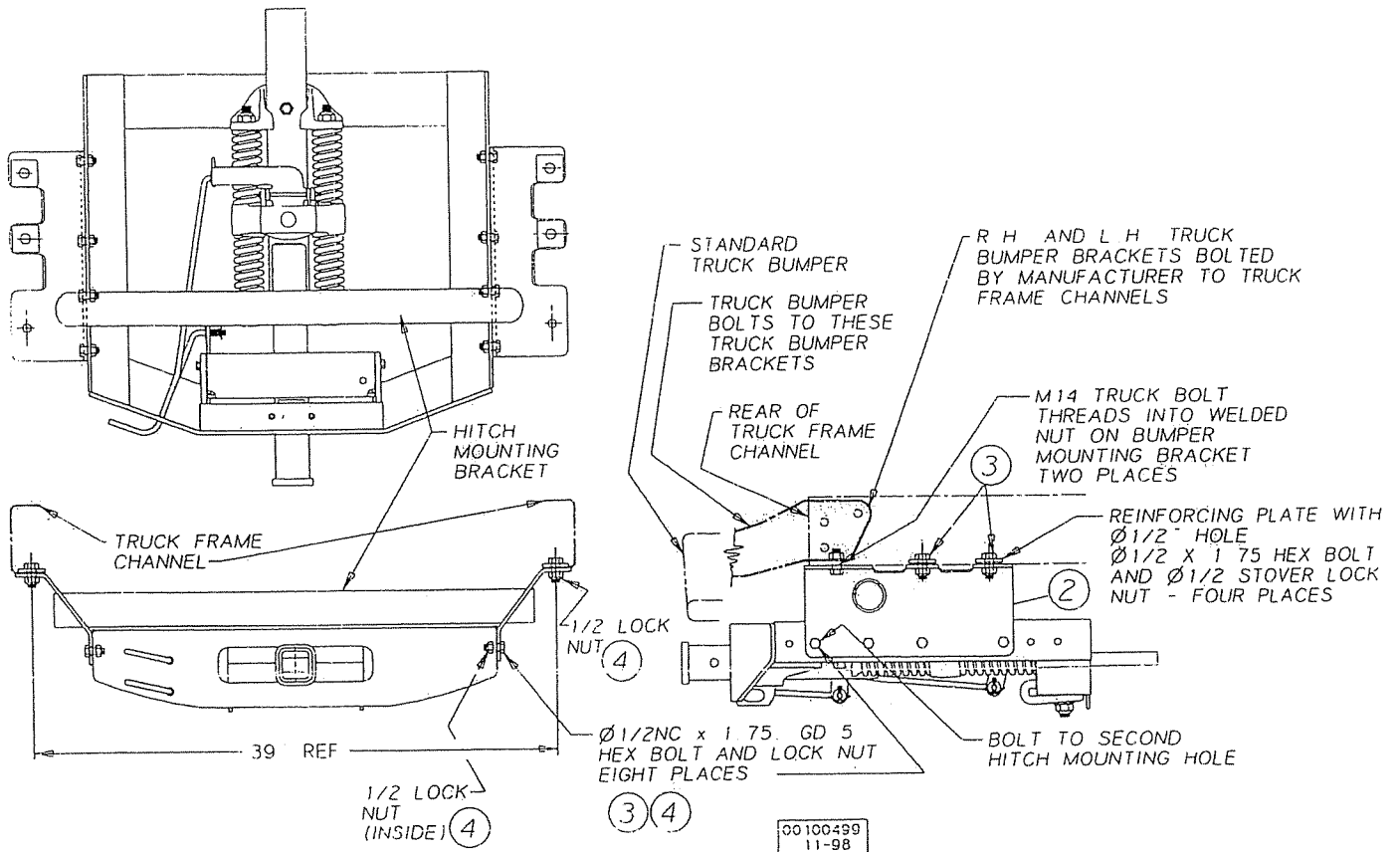
## 1999 - CURRENT CHEVY/GMC FULL SIZE PICK UP

Follow assembly instructions below. Refer to assembly drawings and instructions on previous page.

1. Remove spare tire and tighten spare tire winch to clear hitch and prevent noise vibration.  
**NOTE:** Do not remove any welded or riveted-in cross members.
2. Remove (2) vertical M14 truck hex bolts from truck bumper bracket at rear of the truck.
3. Loosely bolt front mounting bracket (Item #2) in place with the (2) M14 bolts removed in step #2. Snug the (2) M14 hex bolts and loosen 1/4 turn. Place (4) reinforcing plates (for 1/2" bolt) (Item #2) over holes in the truck frame that align with the holes in the frame that aligns with the holes in the hitch mounting bracket. Insert (4) 1/2" x 1-3/4" bolts (Item #3) down through the reinforcement plates (for 1/2" bolts) (Item #2), truck frame channel, and hitch mounting bracket (Item #1) and install (4) 1/2" stover lock nuts (Item #4). Snug bolts to hold rear mounting bracket in place, but **do not tighten** hardware at this time.
4. Install **Quic 'n Easy** frame to hitch mounting bracket (Item #2) using (8) 1/2" x 1-3/4" bolts (Item #3) and (8) 1/2" stover lock nuts (Item #4). **Do not tighten** hardware at this time.
5. TORQUE ALL BOLTS TO THE SPECIFICATIONS SHOWN:  
1/2" diameter grade 5 to.....85 ft-lbs  
14 mm diameter (from truck) to.....125 ft-lbs
6. **IMPORTANT:** When complete, check for proper clearances between truck components and **Quic 'n Easy** receiver hitch assembly. There must be a minimum clearance of 2-1/4", fore and aft, and 1-1/4" above the spring casting from any obstruction to allow proper and safe operation.
7. Slide red plastic handle covers over slide lock handle and pin lever handle.

# Quic 'n Easy MOUNTING INSTRUCTIONS

## 1999 - CURRENT CHEVY/GMC FULL SIZE PICK UP



ITEM NO.	PART NO.	QTY	DESCRIPTION
1	47077560	1	Bracket Weldment '99 - Current Chevy
2	47077507	4	Plate, Reinforce 1/2" Bolt
3	16008075	12	1/2" x 1-3/4" Hex Bolt Gd. 5
4	14110801	12	1/2" Stover Lock Nut

Kit # 47082080