

INSTRUCTION MANUAL

Kwik Slide

TOWING PRODUCTS

PLYMOUTH, MI

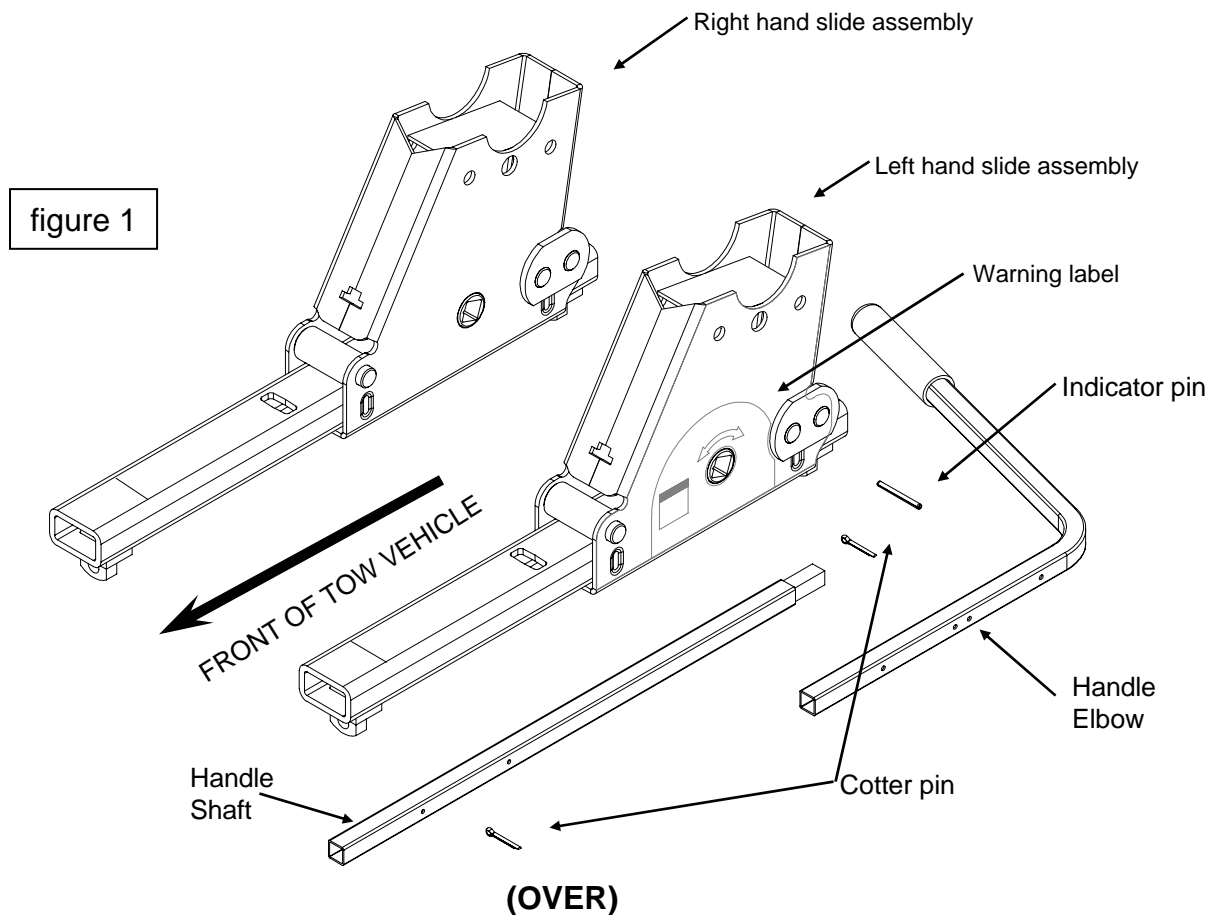
FOR USE WITH
30048

DEALER/INSTALLER:

- (1) Provide this Manual to end user.
- (2) Physically demonstrate sliding procedures in this Manual to end user.
- (3) Have end user demonstrate that he/she understands procedures.

END USER:

- (1) Read and follow this Manual every time you use this Kwik Slide.
- (2) Save this Manual for future reference.
- (3) Pass on copies of Manual to any other user or owner of a Kwik Slide.
- (4) Never remove Kwik Slide warning decal as shown on the cover of this manual. If damaged, contact Towing Products (1-800-326-1090) for free replacement decals.



⚠ WARNING:

Failure to follow these instructions may result in death or serious injury!

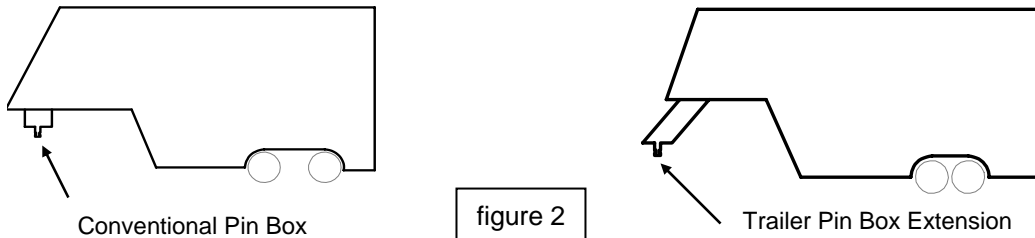
⚠ WARNING:

**Kwik-Slide hitches that are not properly locked can suddenly move and kill you!
To avoid death or serious injury:**

- Never place any part of body in truck bed or between truck and trailer unless the following conditions are met :
 - Truck is in park with emergency brake on, and
 - Trailer landing gear is down and resting on firm ground, and
 - All trailer wheels are blocked on each side of wheel
- Always perform “push” or “pull test” by following instructions in this manual.

BEFORE INSTALLATION

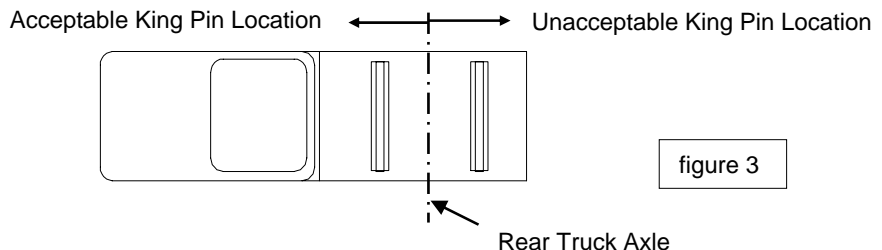
1. 5th wheel trailers are typically designed for use with long bed (8 foot) trucks. These trucks provide ample turning clearance between the truck cab and trailer front. Short bed trucks (less than 8 ft. but longer than 6 ft.) require additional turning clearance to avoid truck cab or trailer damage during normal turns. This is best accomplished through the use of a trailer pin box extension (see figure 2). Towing Products suggest the use of a minimum of a 13 inch pin box extension to be able to comfortably make normal turning maneuvers with a short bed truck. Contact your trailer manufacturer for pin box extension options.



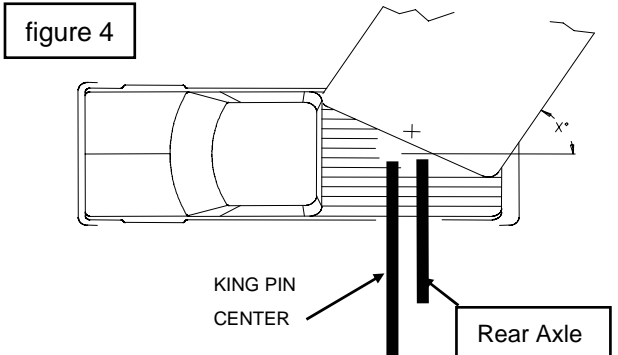
⚠ CAUTION:

Turning clearance is reduced when towing with a short bed truck! This can result in trailer striking inside of truck bed. Always monitor truck cab and trailer clearance during turns. Failure to do so could result in significant property damage.

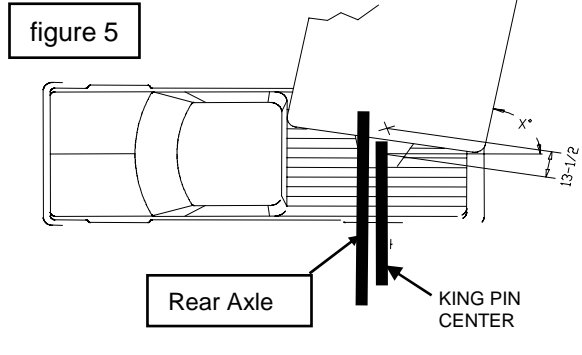
2. The 5TH WHEEL KWIK SLIDE is designed to be used with Towing Products 5TH WHEEL installations only. These installations are described in the Towing Products INSTALLATION INSTRUCTIONS BASE RAIL MOUNTING KIT (P/N 30035). These instructions specify the exact placement of the base rails in relation to the rear truck axle for most current pickup trucks.
3. The trailer king pin should always be directly above or slightly forward of the rear truck axle when towing. Trailers should never be towed with the trailer king pin rearward of the rear truck axle in highway conditions (see Fig. 3).



4. The 5TH WHEEL KWIK SLIDE provides additional turning clearance for low speed, off-highway maneuvering such as backing a RV trailer into a tight camp site. This is done by sliding the hitch 10 inches rearward of its normal Towing Position (figure 4) to a Maneuvering Position (figure 5). This places the trailer king pin behind the rear truck axle.



In this figure, the Kwik-Slide is positioned in the **Towing Position**, forward of the rear axle. Note that a 13-1/2" pin box extension has been used. This is the only position you should use when towing!



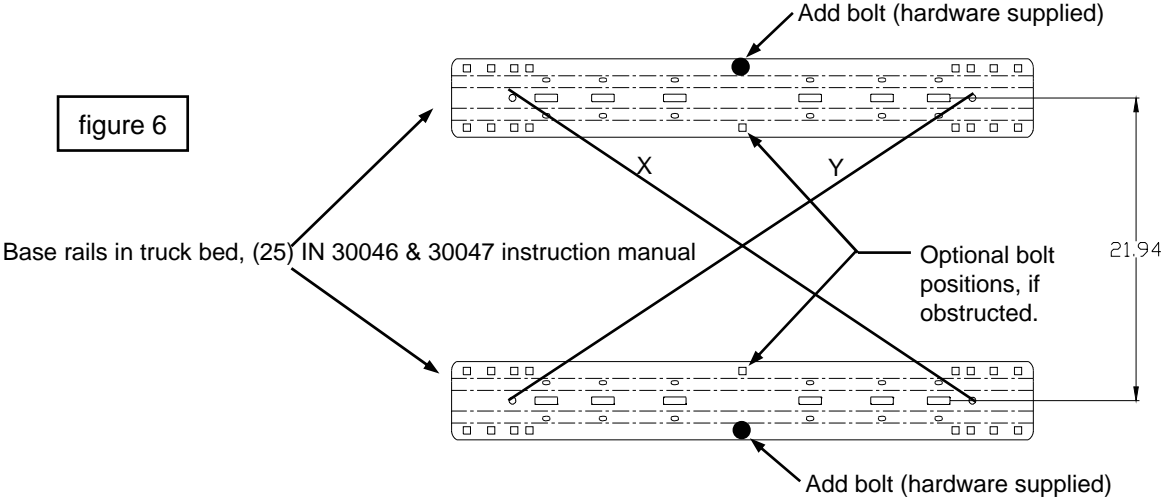
In this figure, the Kwik-Slide is positioned in the **Maneuvering Position**. Note that a 13-1/2" pin box extension has been used. The maneuvering Position should only be used at a low speed, when high maneuverability is needed!

⚠ WARNING:

Never tow trailers in highway or high speed conditions with KWIK-SLIDE in the Maneuvering Position (rearward of the rear axle)! Towing with the trailer king pin rearward of rear truck axle can affect weight distribution and may interfere with the towing vehicle's handling and response characteristics. Poor handling and response characteristics could result in death or serious injury.

5. Due to the heavy duty nature of the 5TH WHEEL KWIK-SLIDE assembly, the assembly may not slide by hand when installed, especially if base rails are not securely installed to be parallel and centered. Rails should be installed so that the center lines of each rail are 21.94 inches (21 15/16") apart (see figure 6). Diagonal dimensions "x" and "y" (as depicted in figure 6) should be within 0.1 inch (1/8") of each other. ***If this alignment is not met, loosen hardware and realign base rails. Retorque hardware per instructions after base rails are properly aligned.***

6. Drill 2 holes identified in figure 6 (check for obstructions). Drill all holes with 3/16" drill and enlarge them with a 17/32" drill. Always use sharp drill bits. Install 1/2" carriage bolts into holes. Install slotted spacer above or below bed to fill corrugations in bed floor, also add bolt plate below bed with washers and nut. These bolts are in addition to the 8 bolts used when installing base rails according to instructions 30035.



INSTALLATION

1. These instructions should be used to mount 5TH WHEEL KWIK-SLIDE. Care and attention to detail will ensure a quick, safe and quality installation. Check parts against figure 1 to become familiar with kit.

2. Before installing 5TH WHEEL KWIK-SLIDE, leaf spring must be greased as shown using white lithium grease or equivalent (see figure 7). For best results, use aerosol white lithium grease with a spray nozzle extension. Make sure entire underside of spring is coated! Repeat this application monthly during use.

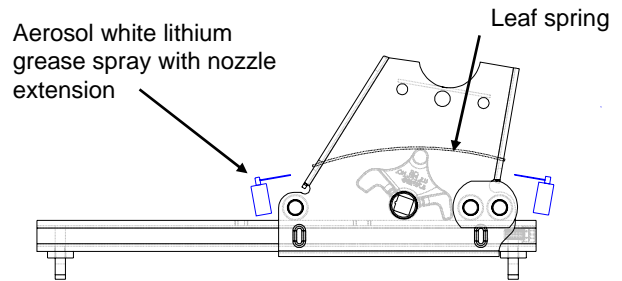
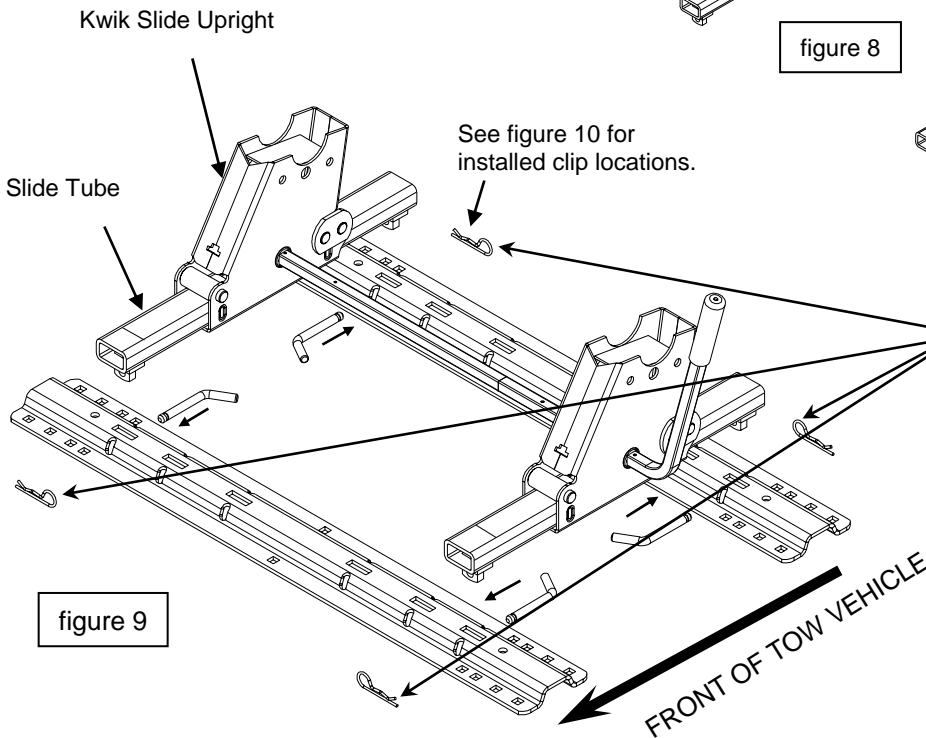
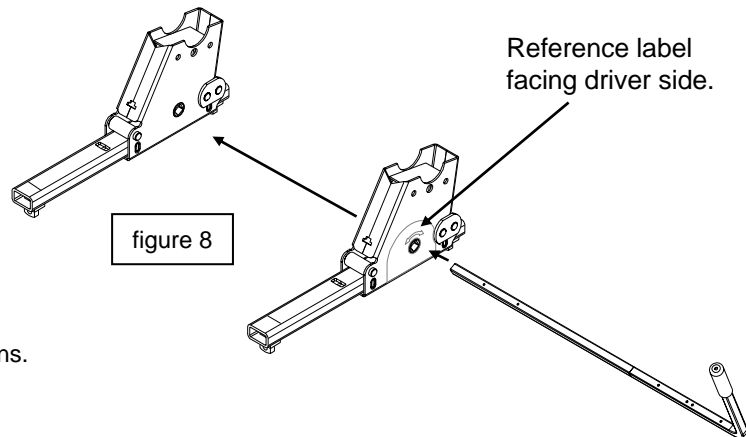


figure 7

3. Before setting the 5TH WHEEL KWIK-SLIDE into the bed of the pickup, attach handle shaft to handle elbow (see figure 1 on first page). Insert handle assembly through left hand slide assembly (driver's side of towing vehicle) and then through the right hand side slide assembly (see figure 8). If 5TH WHEEL KWIK-SLIDE is being used with the PRO-SERIES 15k head assembly insert handle through right hand slide assembly (passenger side of towing vehicle) and then through left hand side of slide assembly.

4. Set the 5TH WHEEL KWIK-SLIDE into base rails and pin in position with the KWIK-SLIDE in the middle of the tubes (see figure 9).



⚠ WARNING:
Pull pin spring clips must be on the outside of base rail as shown. Spring clips installed on the inside of base rail will not allow Kwik-Slide to slide far enough to lock. Kwik-Slides that are not properly locked can suddenly move and cause serious injury or death.

5. Loosely assemble head support to 5TH WHEEL KWIK-SLIDE at desired height.

NOTE: Bottom position may not be used on all hitch models.

Use 2 cotter pins provided to trap handle in place as shown. Install indicator pin in handle as shown. Install such that the indicator pin just goes through the bottom side of the handle. (see figure 10).

6. Use a two step procedure to tighten hardware

A. Start at a point and snug all hardware.

Do not overlook connections under bed at frame. Note sequence.

B. Using same start point and sequence, torque all hardware.

Torque 1/2" bolts to 85 lb.ft.

7. Coat top & side surfaces of slide tube and roller holes (6 places) in each slider assembly with all purpose grease or teflon lube, use as needed (see figure 11). Repeat this application monthly during use.

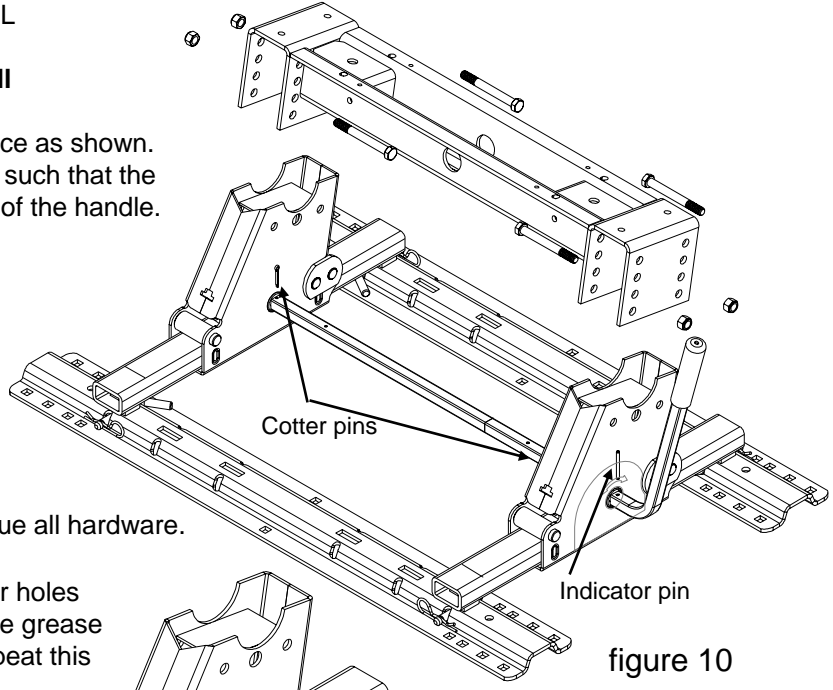


figure 10

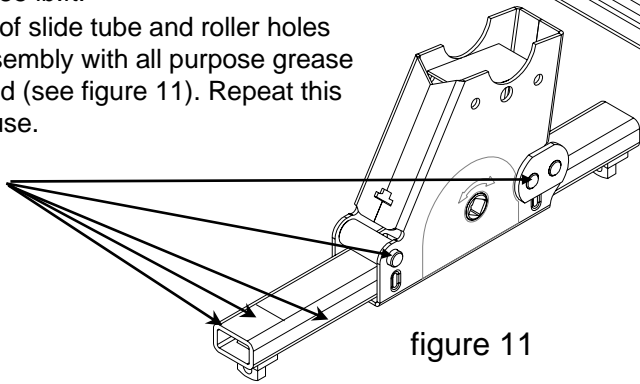


figure 11

OPERATION

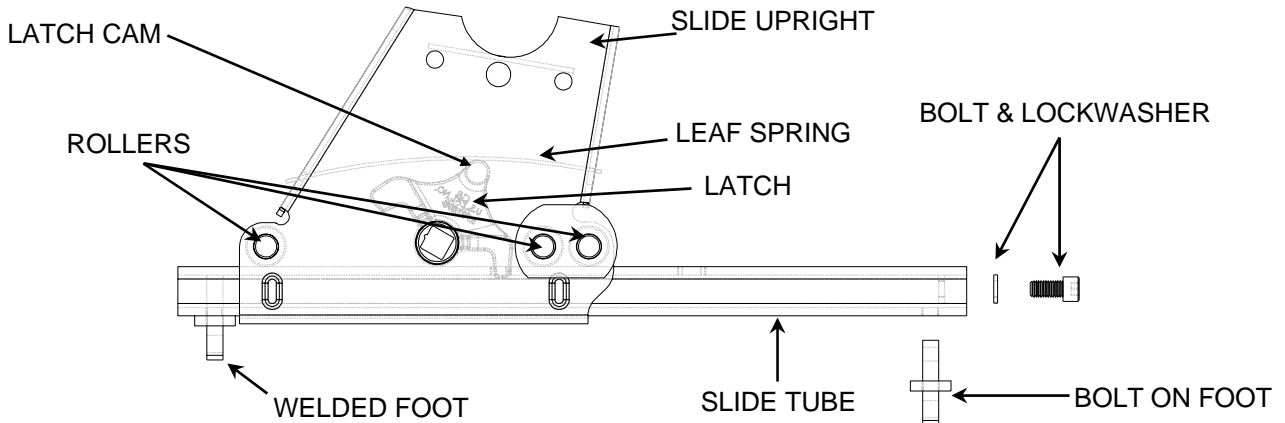


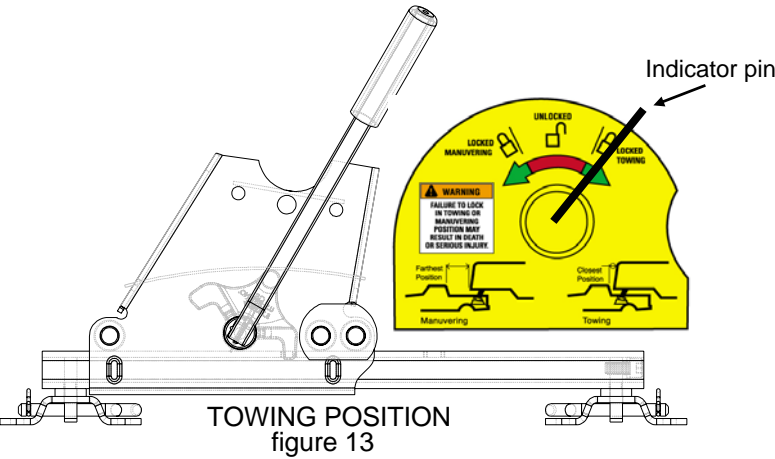
figure 12

⚠ WARNING:

Kwik-Slide hitches that are not properly locked can suddenly move and kill you!

To avoid death or serious injury:

- Never place any part of body in truck bed or between truck and trailer unless the following conditions are met :
 - All trailer tires **MUST** be blocked in front and behind each tire, **AND**
 - Trailer landing gear **MUST** be resting on firm ground, **AND**
 - Truck **MUST** be stationary, in park, with emergency brake on!
- Always perform "push" or "pull test" by following instructions in this manual.



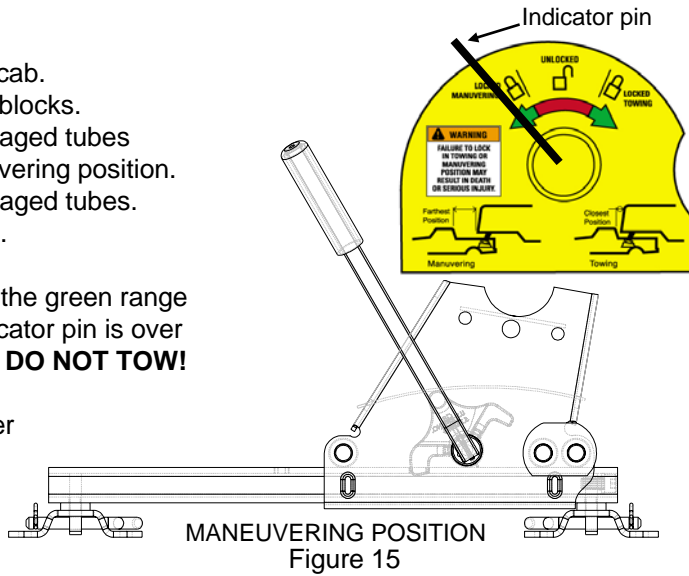
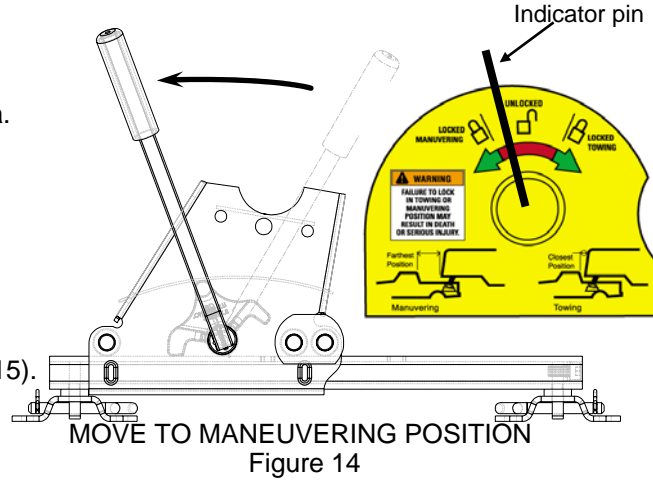
Leaf spring on latch cam keeps latch from disengaging. Hitch can not move rearward with latch engaged. Rearward load forces latch further into slot. Hitch can not move forward due to welded foot (see figures 1, 11 and 12).

←
FRONT OF TOW VEHICLE

MOVE FROM TOWING TO MANEUVERING POSITION

1. Position truck and trailer in a **straight line** on a flat, level area.
2. Place truck in "Park" with emergency brake "on".
3. Block front and back of all trailer wheels.
4. Lower trailer landing gear so it is resting on firm ground.
5. Pull handle forward (see figure 14). Indicator pin should be over red unlocked range near the green locked maneuvering range (see figure 14). Spring pressure will press latch against top of tube, the latch will lock into slot when the 5TH WHEEL KWIK-SLIDE moves to the maneuvering position (see figure 15).
6. Return to truck. Release emergency brake. Manually engage trailer brake and pull truck forward until 5TH WHEEL KWIK SLIDE stops at bolt in foot (figure 12) and latch engages in maneuvering position (see figure 15).
7. Perform "**PUSH TEST**" as follows:
 1. Manually engage trailer brakes from truck cab.
 2. Back truck into trailer against trailer wheel blocks.
 3. If Kwik-Slide does not move, latch has engaged tubes and Kwik-Slide should be locked "on".
 4. If Kwik-Slide does move, latch has not engaged tubes.

DO NOT TOW! Repeat steps 1 - 7 above.
8. Again, place truck in "Park" with emergency brake "on".
9. Examine warning label. Indicator pin should now be over the green range on the left side of the warning label (see figure 15). If indicator pin is over red range on warning label, latch has not engaged tubes. **DO NOT TOW!** Repeat steps 1- 7 above.
10. After successfully performing above steps, fully raise trailer landing gear (See trailer manual).
11. Remove and store all trailer wheel blocks.

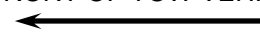


⚠ WARNING:

Kwik-Slide hitches that are not properly locked can suddenly move and kill you!

To avoid death or serious injury:

- Never place any part of body in truck bed or between truck and trailer unless the following conditions are met :
 - All trailer tires **MUST** be blocked in front and behind each tire, **AND**
 - Trailer landing gear **MUST** be resting on firm ground, **AND**
 - Truck **MUST** be stationary, in park, with emergency brake on!
- Always perform "push" or "pull test" by following instructions in this manual.



1. Position truck and trailer in a **straight line** on a flat, level area.
2. Place truck in "Park" with emergency brake "on".
3. Block front and back of all trailer wheels.
4. Lower trailer landing gear so it is resting on firm ground.
5. Push handle rearward (see figure 16). Indicator pin should be over red unlocked range near the green locked towing range (see figure 16). Spring pressure will press latch against top of tube, the latch will lock into slot when the 5TH WHEEL KWIK-SLIDE moves to the towing position (see figure 17).
6. Return to truck. Release emergency brake. Manually engage trailer brake and back truck rearward until 5TH WHEEL KWIK-SLIDE stops at the welded foot (figure 12) and latch engages in towing position (see figure 17).
7. Perform "**PULL TEST**" as follows:
 1. Manually engage trailer brakes from truck cab.
 2. Pull truck and trailer forward against trailer wheel blocks.
 3. If Kwik-Slide does not move, latch has engaged tubes and Kwik-Slide should be locked in towing position.
 4. If Kwik-Slide does move, latch has not engaged tubes.
8. Again, place truck in "Park" with emergency brake "on".
9. Examine warning label. Indicator pin should now be over the green range on the right side of the warning label (see figure 17). If indicator pin is over red range on warning label, latch has not engaged tubes. **DO NOT TOW!** Repeat steps 1 - 7 above.
10. After successfully performing above steps, fully raise trailer landing gear (See trailer manual).
11. Remove and store all trailer wheel blocks.

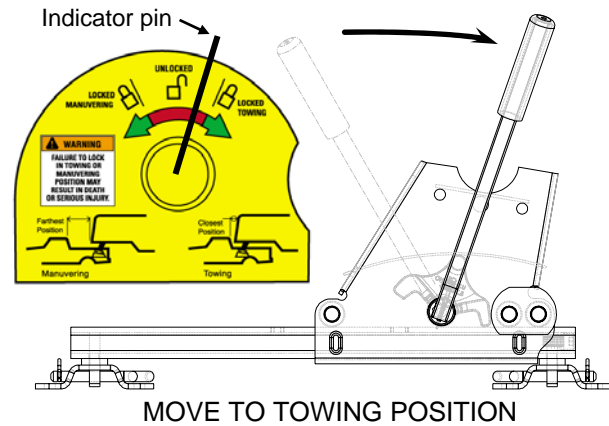


Figure 16

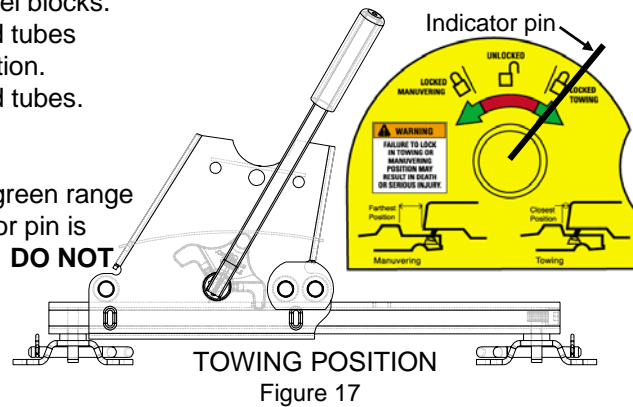


Figure 17

⚠ WARNING:

**Kwik-Slide hitches that are not properly locked can suddenly move and kill you!
To avoid death or serious injury:**

- Never place any part of body in truck bed or between truck and trailer unless the following conditions are met :
 - All trailer tires **MUST** be blocked in front and behind each tire, **AND**
 - Trailer landing gear **MUST** be resting on firm ground, **AND**
 - Truck **MUST** be stationary, in park, with emergency brake on!
- Always perform "push" or "pull test" by following instructions in this manual.

FIVE YEAR LIMITED WARRANTY

Towing Products warrants its 5TH WHEEL KWIK-SLIDE from date of purchase against defects in material and workmanship under normal use and service, ordinary wear and tear excepted, for 5 years of ownership to the original consumer purchaser when a Towing Products mounting kit is used.

Products used by professional haulers are subject to Towing Products' limited One (1) year warranty.

Towing Products will replace free of charge any part which proves defective in material or workmanship when presented to any Towing Products dealer (consult local telephone directory) or Towing Products warehouse, or when returned to the factory, TRANSPORTATION CHARGES PREPAID, at the address below. THIS WARRANTY IS LIMITED TO DEFECTIVE PARTS REPLACEMENT ONLY. LABOR CHARGES AND/OR DAMAGE INCURRED IN INSTALLATION OR REPLACEMENT AS WELL AS INCIDENTAL AND CONSEQUENTIAL DAMAGES CONNECTED THEREWITH ARE EXCLUDED.

Some states do not allow the exclusion or limitation of incidental or consequential damages, so the above limitation or exclusion may not apply to you.

Any damage to the 5TH WHEEL KWIK-SLIDE as a result of misuse, abuse, neglect, accident, improper installation, or any use violative of the instruction furnished by us WILL VOID THE WARRANTY.

This warranty gives you specific legal rights, and you may also have other rights which vary from state to state. In the event of a problem with warranty service or performance, you may be able to go to a small claims court, a state court, or a federal district court.

Towing Products, Inc.
47774 Anchor Court
Plymouth, MI 48170

Towing Products, Inc.
2602 College Ave.
Goshen, IN 46528