

Installation Instructions

BDB12503 7.5 Ton Eye Bolt Drawbar

CAPACITY:

- 3,000 lbs. Maximum Vertical Load
- 15,000 lbs. Maximum Trailer Weight

WARNING

IN ORDER TO ADEQUATELY CONTROL TRAILER MAINTAIN SUFFICIENT (TONGUE) LOAD (GENERALLY 10% G.T.W.) DO NOT EXCEED THE ABOVE RATED CAPACITIES.

DESCRIPTION:

Drop forged steel drawbar 2-1/2" I.D. Eye with 1-1/2" O.D. shank, washer, nut and cotter pin.

TOWING APPLICATIONS:

For trailers and equipment designed for over-the-road towing within the stated capacities. For off-road application reduce the above capacities by 25%.

MOUNTING:

1. Mounting structure should be of sufficient strength to support stated capacities in conjunction with SAE J849 and SAE J847.
2. For mounting dimensions see Fig. 1 drawing.
3. Mounting drawbar, remove cotter pin, nut and washer from drawbar. Insert drawbar into mounting structure and install washer and nut. Torque the nut to 450/650 ft.lbs. (610/881 Nm) and insert cotter pin through nut and drawbar shank. Spread cotter pin.

OPERATION AND MAINTENANCE:

1. Inspect drawbar regularly for wear and damage. If wear exceeds 1/8", replace drawbar.
2. Check mounting and nut for proper torque.

WARNING - DURING OPERATION:

1. Be sure the drawbar size is compatible with the coupling device on the tow vehicle.
2. Do not damage coupling components, be particularly careful during coupling and uncoupling.
3. Insert coupling device on tow vehicle for proper engagement.
4. Consult O.S.H.A. and D.O.T. regulations and American Trucking Assoc. guidelines for complete operating procedures.

GENERAL INFORMATION:

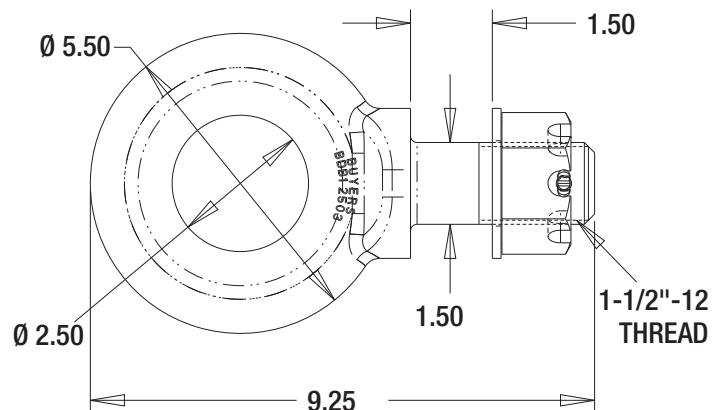
1. Do NOT modify or add to this product.
2. Wear safety goggles during installation and removal.
3. Never strike any part of this item with a steel hammer.
4. Do NOT weld on this product without written consent from the factory.

WARNING

THIS PRODUCT MUST NOT BE USED OR MAINTAINED IN A CARELESS MANNER.



Fig. 1



WARRANTY

Buyers Products Co. warrants all truck/trailer hardware manufactured or distributed by it, to be free from defects in material and workmanship for a period of one year from date of shipment. Parts must be properly installed and used under normal conditions. Any product which has been altered, including modification, misuse, accident or lack of maintenance will not be considered under warranty. Normal wear is excluded. The sole responsibility of Buyers Products Co. under this warranty is limited to repairing or replacing any part or parts which are returned, prepaid, and are found to be defective by Buyers Products Co. Authorization from Buyers Products Co. must be obtained before returning any part. No charges for transportation or labor performed on Buyers' products will be allowed under this warranty.